

LEONEAMERICA DENTAL PRODUCTS, INC. IS LOCATED IN OXNARD, CALIFORNIA AND IS THE US ORTHODONTIC DIVISION OF LEONE ORTHODONTICS AND IMPLANTOLOGY OF FLORENCE, ITALY. LEONE WAS ESTABLISHED IN 1934 AND IS NOW ONE OF THE FEW QUALITY MANUFACTURERS PRODUCING A FULL RANGE OF ORTHODONTIC PRODUCTS. SINCE 1992, LEONE HAS BEEN A MEMBER OF THE OMA (ORTHODONTIC MANUFACTURERS ASSOCIATION) – AN ORGANIZATION FEATURING THE NINE LEADING ORTHODONTIC MANUFACTURERS WORLDWIDE. LEONEAMERICA DENTAL PRODUCTS, INC. DISTRIBUTES EXCLUSIVELY THE LEONE ORTHODONTIC RANGE IN USA, CANADA, AND PUERTO RICO.



LeoneAmerica Dental Products, Inc., Distribution site in Oxnard, CA, USA



Leone, S.p.A., Headquarters and manufacturing site in Florence, Italy



805-487-9860

Email: info@leoneamerica.com

www.leoneamerica.com

1250 Stellar Drive
Oxnard, CA 93033-2404

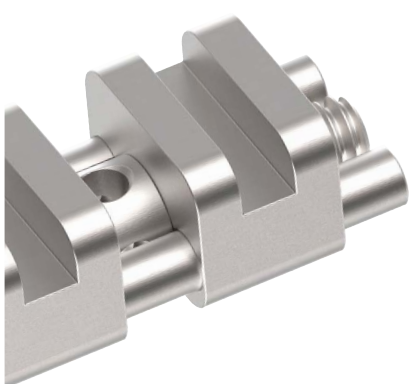
LeoneAmerica sole distributor of
Leone S.p.A. orthodontic products in USA,
Canada, and Puerto Rico.



LABORATORY PRODUCTS



4



6



26



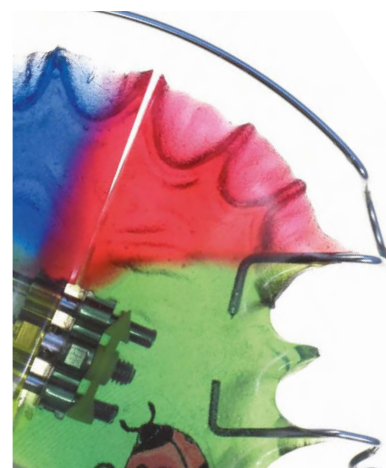
44



48



60



64



RPE FOR TADS

PATENT PENDING

It allows the manufacturing of totally customized expanders both hybrid (teeth and TADs) and fully Bone Borne

PALATAL EXPANDER FOR TADS

It features two posterior arms, and, in the package, 4 dedicated TAD attachments are included that can be adapted to patient's anatomy and welded by the lab on the body of the screw.

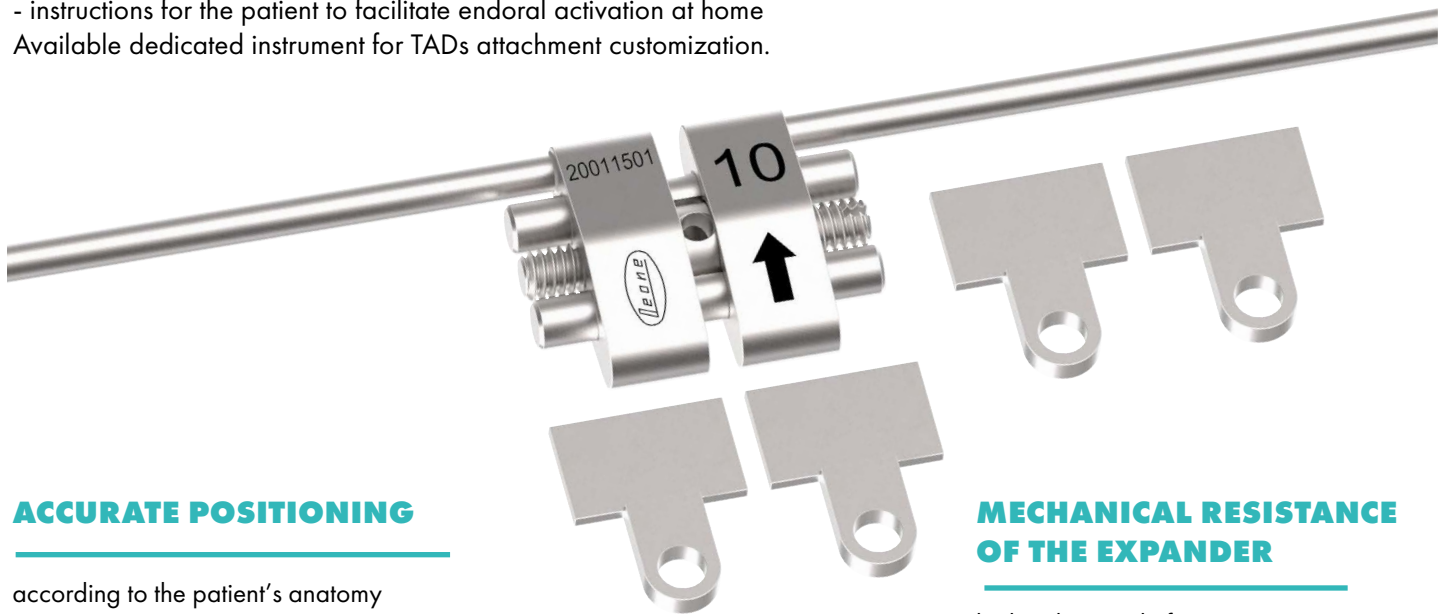
The enhanced strength of the expander ensures high mechanical resistance to apply high forces necessary for MARPE therapy (miniscrew assisted rapid palatal expander) even in adult patients.

Thanks to the adaptable TADs attachments, it is possible to highly customize the rapid palatal expander on each patient anatomy, both in TADs-first and in TADs-last approach. Therefore an optimized expansion load distribution on the TADs can be achieved.

Pack content:

- 4 attachments for TAD
- 1 stainless steel wrench
- 1 strengthened swivel key with handle
- instructions for the patient to facilitate endoral activation at home

Available dedicated instrument for TADs attachment customization.

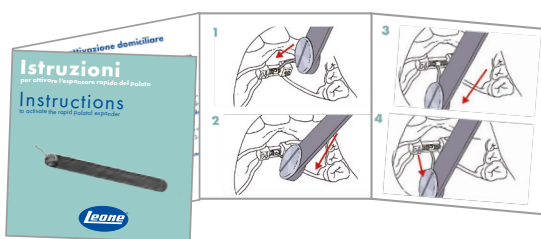


ACCURATE POSITIONING

according to the patient's anatomy and orientation of the TADs attachments based on the position of the TADs

MECHANICAL RESISTANCE OF THE EXPANDER

higher than 60 kgf



INSTRUCTIONS TO ACTIVATE THE EXPANDER

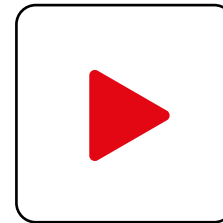
useful for parents and clinicians

STRENGTHENED SWIVEL KEY

The intraoral activation key **only** dedicated to these expanders and supplied inside the package, is characterized by a high resistance and its use is mandatory to allow the full transmission of the expansive force



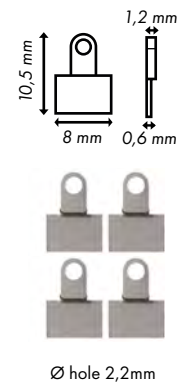
RPE FOR TADS



LEARN MORE



	CODE	activation turns			PRICE
11 mm		body		for maximum expansion limit	
4 mm		mm	mm		
arms 1,5 mm					
0,8 mm					
	201A0620-08	12	8	40	\$65.10
	201A0620-10	15	10	50	\$65.10
	201A0620-12	17	12	60	\$65.10



P0201-00 BENDING INSTRUMENTS FOR TADS ATTACHMENT

Made by two elements, it is used to easily adapt the TADs attachments to every anatomical and treatment need. Both components are made of stainless steel and laser marked.

PRICE \$59.00



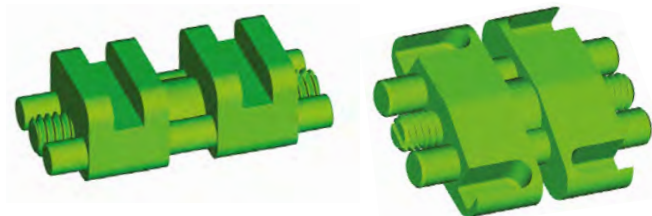
SEE BENEFIT TAD SYSTEM FOR THE TEMPORARY FIXATION IN THE PALATE, DEVELOPED BY PSM MEDICAL SOLUTIONS. SEE PAGE 37 OF CLINICAL PRODUCTS SECTION



CAD·CAM EXPANDER

PATENTED

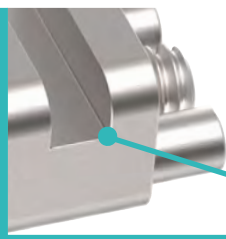
First RPE screw series designed for a full digital workflow



RPE FULLY DIGITAL DESIGNED

CAD-CAM expanders allow the manufacturing of totally customized appliances with dental anchorage, hybrid (teeth and TADs) and bone borne in a full digital workflow, by using 3D Leone Designer software.

Thanks to a manufacturing process called Laser Melting, the STL file will become a high precision sintered framework, that will fit perfectly the slot on the expander bodies thus to be joined permanently by laser welding



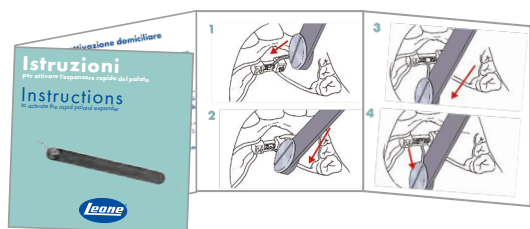
SQUARED SLOTS

The CAD-CAM expanders bodies feature, instead of the standard arms, squared slots that allow a correct oriented coupling of digitally designed customized laser melted framework and, thanks to their geometric shape, the fully transmission of the expansion forces to the teeth and/or TADs



THE STRONGEST RPE OF THE RANGE

CAD-CAM expanders are manufactured by biomedical stainless steel with increased mechanical properties and a dedicated geometry of the male screw head that allow us to declare, based on in-vitro tests performed, a strengthness higher than 60kgf, about 50% higher than standard RPE. These features ensure the treatment efficiency even with maxillary expansion in adult patients with 2 or 4 TADs



INSTRUCTIONS TO ACTIVATE THE EXPANDER

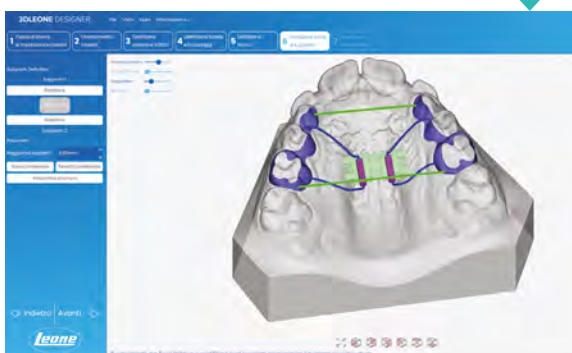
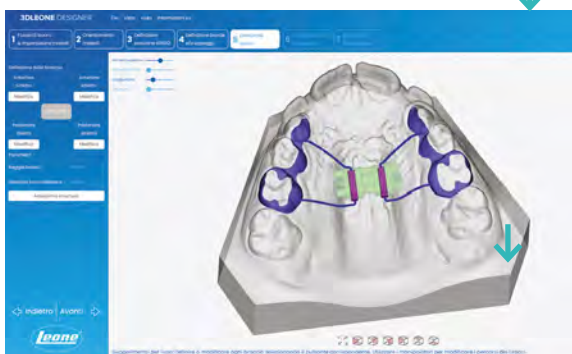
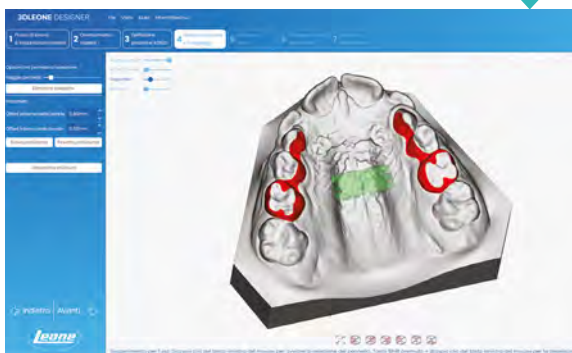
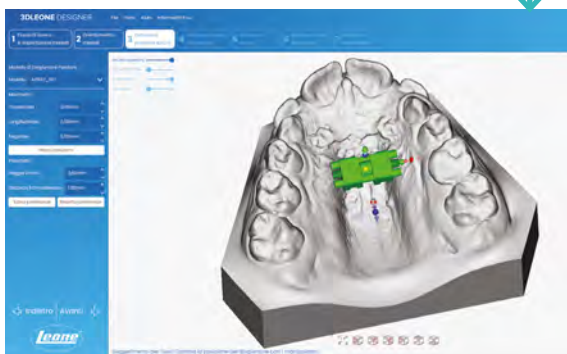
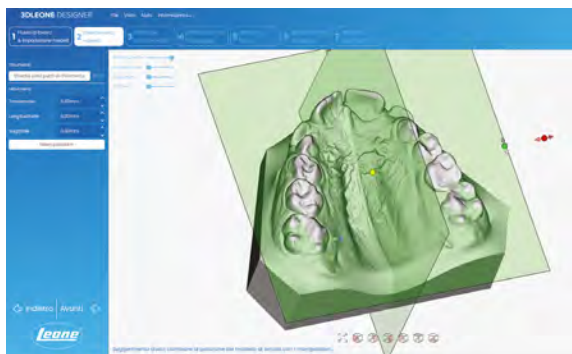
useful for parents and clinicians

STRENGTHENED SWIVEL KEY

The strengthened swivel key **only** for CAD-CAM expanders, supplied inside the package, is more resistant than standard one and its use is mandatory in order to enable the full transmission of expansion forces.



3D LEONE DESIGNER SOFTWARE



3D Leone Designer is the first software based on an easy and driven workflow for the digital design of customized framework to be coupled with our innovative CAD-CAM expanders.

Based on our experience with many different software in the dental field and due to the increased customer's requests, Leone has realized an innovative and intuitive software that allow to design, not only bands and supports, but even the expander arms with automatically placing the expander in the right position, without spending too much time and no need of digital skills.

3D Leone Designer software allow to upload and manage STL files of both upper and lower arch, obtained from laboratory scanner or directly from intra-oral scanner, and it has already in library all the range of Leone CAD-CAM expander available.

Once the digital and driven workflow will be done, the STL file designed will become, thanks to an innovative technology called Selective Laser Melting, a high precision sintered framework and will be coupled perfectly with the chosen Leone CAD-CAM expander. The framework and the expander will be then permanently laser welded.

For further information on **3D Leone Designer** software visit web site www.leone.it/3dsoftware



CAD-CAM ANATOMICAL EXPANDER

The anatomical CAD-CAM expander looks like a regular anatomical expander with orthogonal arms, but it is a device optimized for the CAD-CAM procedure: instead of the arms, features 2 squared slots that allow a correct oriented coupling for the welding of digitally designed customized laser melted framework.

The reduced overall dimensions, the exclusive self-centering guides system, the strengthened stainless steel of the male screw allow the positioning of the expander even in case of very narrow palates and high resistance and reliability throughout all the therapy even for the usage in MARPE appliances in adult patients. Expansion capacity in mm, directional arrow and lot number are laser marked on the body of the screw.

Supplied with:

- 1 stainless steel key
- 1 strengthened swivel key with handle
- instructions for the patient to facilitate endoral activation at home
- .stl file available on Leone website (www.leone.it) and included in the library of **3D Leone Designer software**.



LEARN MORE



	6 mm	4,5 mm		CODE					activation turns	PRICE
	6 mm	4,5 mm			body	mm	mm		for maximum expansion limit	
front view back view				A0630-08D	1,5 x 1,5 mm	12 mm	8 mm	0,8 mm	40	\$42.00
front view back view				A0630-10D	1,5 x 1,5 mm	14 mm	10 mm	0,8 mm	50	\$42.00
front view back view				A0630-12D	1,5 x 1,5 mm	16 mm	12 mm	0,8 mm	60	\$42.00

CAD-CAM RAPID EXPANDER

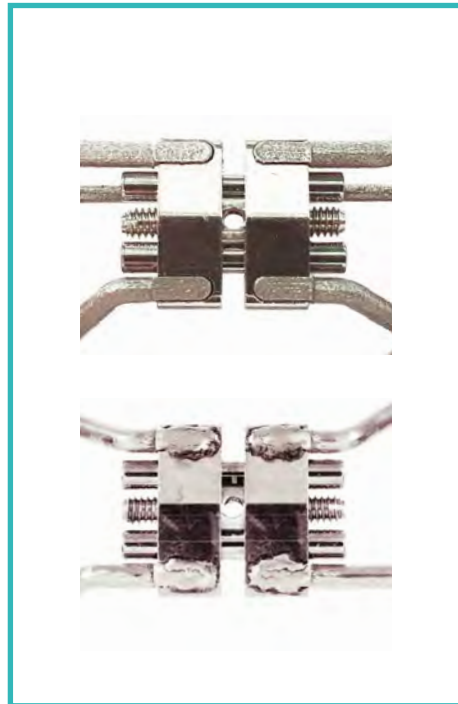
CAD-CAM rapid expander looks like the world best sellers expander, but it is a device optimized for the CAD-CAM procedure : instead of the arms it has 4 transversal squared slots on the bodies that allow a correct oriented coupling for the welding of digitally designed customized laser melted framework. The exclusive self-centering guides system, the strengthened stainless steel of the male screw and the guides and the optimal ratio between bulkiness and dimension, ensure a reliable treatment and a perfect bio-mechanical expansion control throughout all the therapy even for the usage in MARPE appliances in adult patients. Expansion capacity in mm, directional arrow and lot number are laser marked on the body of the screw.

Supplied with:

- 1 stainless steel key
 - 1 strengthened swivel key with handle
 - instructions for the patient to facilitate endoral activation at home
- .stl file available on Leone website (www.leone.it) and included in the library of **3D Leone Designer software**.



LEARN MORE



NEW

11 mm 4 mm		CODE					activation turns	PRICE		
			body mm		mm		for maximum expansion limit			
front view		back view		A0620-08D	1,5 mm	12 mm	8 mm	0,8 mm	35	\$42.00
front view		back view		A0620-09D	1,5 mm	14 mm	9 mm	0,8 mm	40	\$42.00
front view		back view		A0620-11D	1,5 mm	16 mm	11 mm	0,8 mm	50	\$42.00
front view		back view		A0620-13D	1,5 mm	18 mm	13 mm	0,8 mm	60	\$42.00

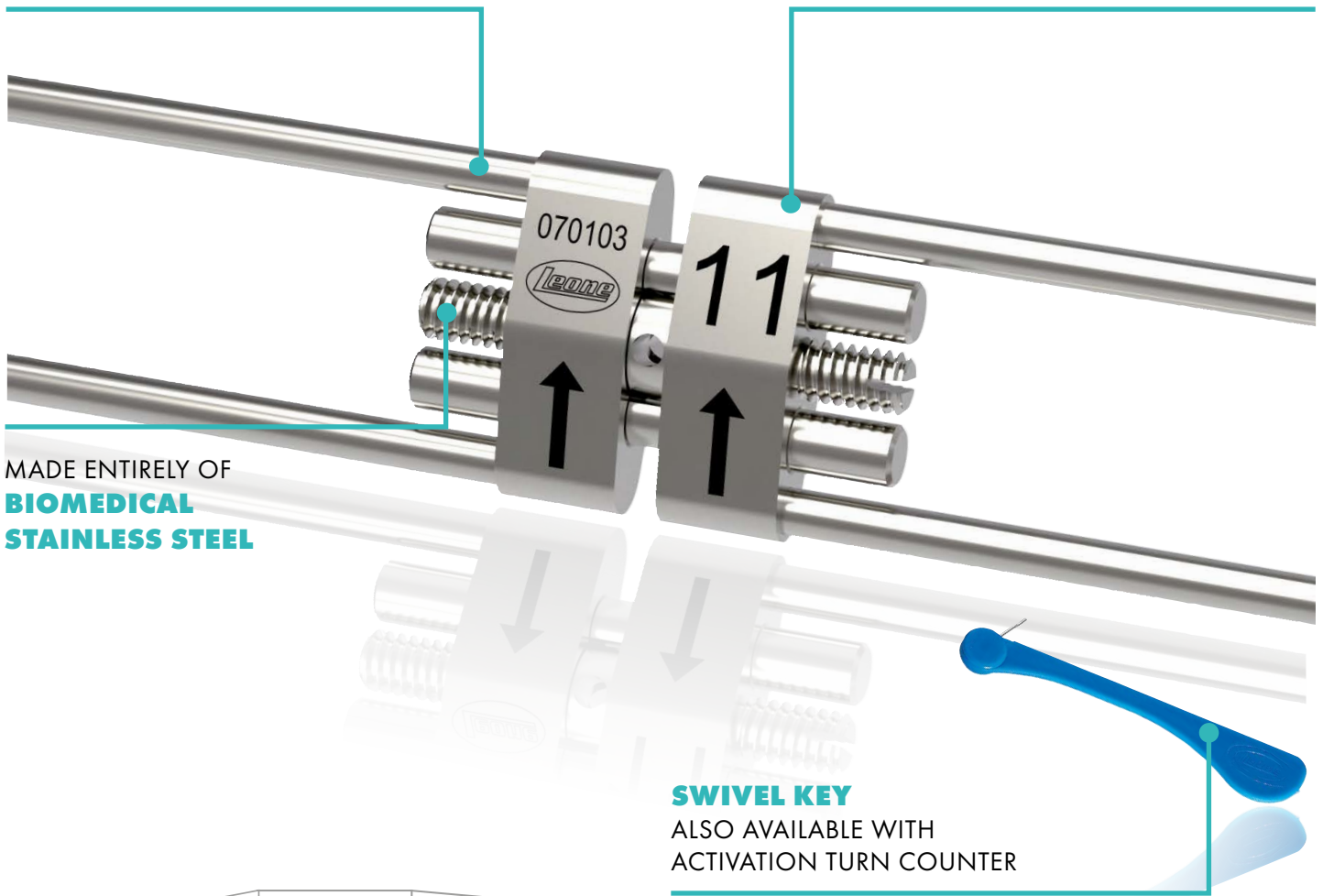
PALATAL EXPANDERS

Leone palatal expanders have been known worldwide for more than 50 years and are now the most complete range of expanders in the market. The 620 series is a superior product made in various dimensions with many advanced features including laser welding of the extension arms into the body of the expander for greater strength and stability.

The automated manufacturing process and quality control with the highest standards allow us to confidently say that we are offering the best palatal expanders in the world today.

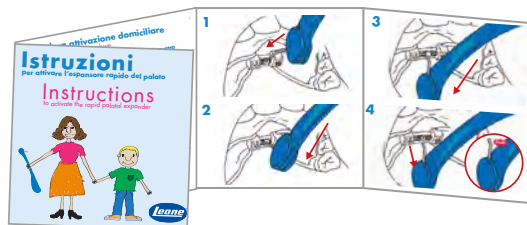
LASER WELDING OF THE EXTENSION ARMS INTO THE SCREW'S BODY

LASER-ETCHED
EXPANSION LIMIT,
DIRECTIONAL ARROW,
LOT NUMBER



MADE ENTIRELY OF
BIOMEDICAL STAINLESS STEEL

SWIVEL KEY
ALSO AVAILABLE WITH
ACTIVATION TURN COUNTER



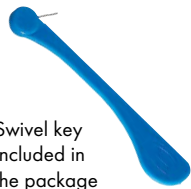
INSTRUCTIONS FOR USE OF EXPANDERS
USEFUL FOR PARENTS
AND DOCTOR

RAPID EXPANDER

THE BEST-SELLING PALATAL EXPANDER IN THE WORLD

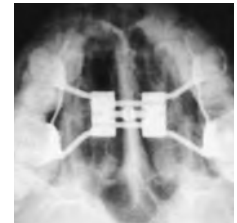
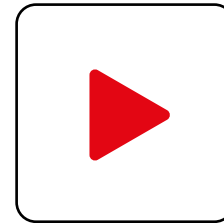
Made entirely of biomedical stainless steel. The housing design is completely smooth, with no rough areas for a secure hygiene. The expander limit, a directional arrow and the lot number are laser etched into the surface of the expander body. Supplied with a swivel key with handle and instructions for use to facilitate the patient endoral activation.

The arm bending and self-locking instrument P0620-00 is also available. Packs of 1



Swivel key included in the package

LEARN MORE



	CODE					activation turns for maximum expansion limit	PRICE
		arms mm	body mm	mm	mm		
	A0620-08	1,5	12	8	0,8	35	\$23.70
	A0620-09	1,5	14	9	0,8	40	\$23.70
	A0620-11	1,5	16	11	0,8	50	\$23.70
	A0620-13	1,5	18	13	0,8	60	\$23.70
	A0620-15	1,5	20	15	0,8	70	\$23.70

SPECIAL:
BUY 200*
GET 75
FREE!

SPECIAL:
BUY 70*
GET 25
FREE!

SPECIAL:
BUY 10*
GET 3
FREE!



A0600-00

PROTECTIVE TAB^(PATENTED)

FOR HAAS-STYLE PALATAL EXPANDER

Made of two parts it allows for safe and easy protection of the activation holes from resin for rapid expanders A0620 type and the realization of expanders with palatal acrylic plate. Pack of 10 **PRICE \$11.80**



1 Unlock the expander with 1 activation hole and fit the bottom into the space between the two bodies, then lock the expander again.



2 Simply apply the upper part of the tab which is shaped to cover and protect the holes on screw's head from acrylic.



3 Once embedded into the acrylic plate, remove the top of the tab and, after cutting the resin, unlock the expander for some holes, and the rear part will also be easily removed.



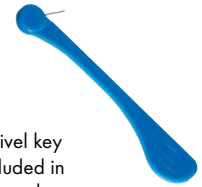
4 Once embedded into the acrylic plate, remove the top of the tab and, after cutting the resin, unlock the expander for some holes, and the rear part will also be easily removed.

RAPID EXPANDER WITH PRE-BENT ARMS



Exactly the same as A0620 expander for all technical features and materials used, but designed with pre-bent arms to facilitate the work in the laboratory. The front arms are more inclined than the rear arms to allow the positioning of the expander's body in the most comfortable way for the patient with the best biomechanical results. Provided with one swivel key with handle and instructions for use to facilitate the patient endoral activation.

Packs of 1



Swivel key included in the package

		CODE					activation turns	PRICE
11 mm	4 mm		arms mm	body mm	mm	mm	for maximum expansion limit	
		A0620W08	1,5	12	8	0,8	35	\$24.90
		A0620W09	1,5	14	9	0,8	40	\$24.90
		A0620W11	1,5	16	11	0,8	50	\$24.90
		A0620W13	1,5 mm	18	13	0,8	60	\$24.90

SPECIAL:
BUY 200*
GET 75
FREE!

SPECIAL:
BUY 70*
GET 25
FREE!

SPECIAL:
BUY 10*
GET 3
FREE!

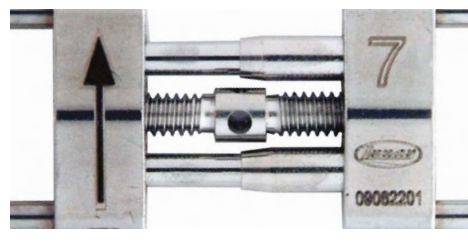
RAPID EXPANDER WITH TELESCOPIC GUIDES

The innovative telescopic guides assure a constant friction throughout the expansion movement, a perfect stability and small sizes. It self deactivates when maximum expansion capacity has been achieved preventing from overtreatment. The 7 mm expander is ideal to treat very narrow palates. The expanders with 10 and 12 mm sizes feature a compact design for ease of arm bending and reducing the overall dimensions of the device. Supplied with a swivel key with handle and instructions for use to facilitate patient endoral activation. The arm bending and self-locking instrument P0620-00 (page 24) is also available. Packs of 1

ZOOMRAX












Swivel key included in the package



TELESCOPIC GUIDE PINS

AVOID THE POSSIBILITY OF SPONTANEOUS DEACTIVATION IN THE MOUTH

			CODE					activation turns	PRICE
	11 mm	4 mm		arms mm	body mm	mm	mm	for maximum expansion limit	
			A2620-07	1,5	11	7	0,8	35	\$43.80
			A2620-10	1,5	14	10	0,8	50	\$43.80
			A2620-12	1,5	16	12	0,8	60	\$43.80

SPECIAL:
BUY 10
FOR \$24.50
EACH

MICRO EXPANDER

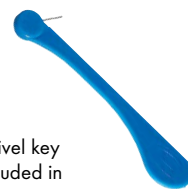
Featured by a significantly smaller body bulk than other competing expanders. It features two extra-long arms also performing support for anteriors and ensuring excellent stability and comfort for the patient. The micro expander can also be used for the expansion of the mandible. Provided with one swivel key with handle and instructions for use to facilitate the patient endoral activation. The arm bending and self-locking instrument P0621-00 (Page 24) is also available. Packs of 1



LOWER ARCH EXPANSION

**ARM LENGTH
68 MM**

- It can be positioned in the standard way, i.e. with the markings of the arrow and maximum expansion visible
- or it can also be positioned upside down with the two arrows visible, in case of very narrow palates, to minimize the bulkiness of the arms once they are bent.



Swivel key included in the package

**SPECIAL:
BUY 200*
GET 75
FREE!**

**SPECIAL:
BUY 70*
GET 25
FREE!**

**SPECIAL:
BUY 10*
GET 3
FREE!**

4,95 mm		4,05 mm		arms 1,5 mm		0,8 mm		CODE	activation turns		PRICE	
								body mm	mm	for maximum expansion limit		
								A0621-08	12	8	35	\$29.10
								A0621-11	16	11	50	\$29.10

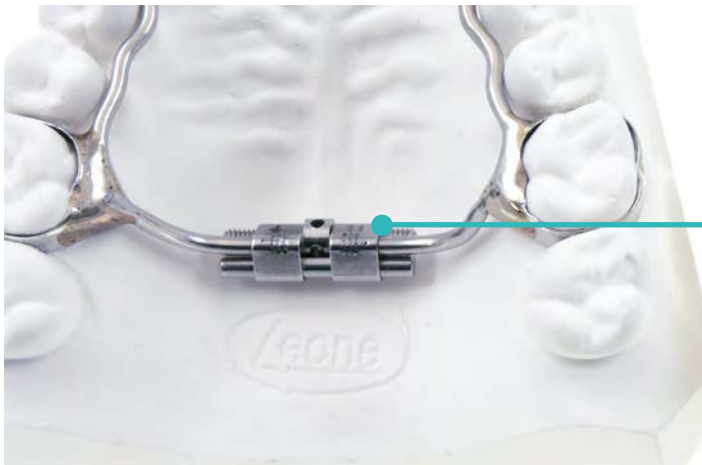
MICRO EXPANDER FOR PALATAL SUTURE EASY ACCESS



Expansor # Screw Series 621



A1621 expander called "Easy Access" is comparable to the existing A0621, but once placed in the device, the body of the screw will remain closer to the palate with minimized overall dimensions; the head with activation holes remains in front position in respect to the guide pin for easier activation with the key. Provided with one swivel key with handle and instructions for use to facilitate the patient endoral activation. The arm bending and self-locking instrument P0621-00 (Page 24) is also available. Packs of 1



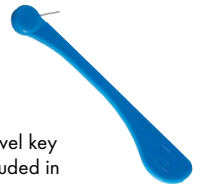
ANTERIOR POSITION
HOLES OF ACTIVATION



EASY ACCESS
FOR KEY ACTIVATION

3 EXPANSION VALUES
FOR ANY THERAPEUTIC
TREATMENT

Swivel key included in the package



SPECIAL: BUY 200* GET 75 FREE!	SPECIAL: BUY 70* GET 25 FREE!	SPECIAL: BUY 10* GET 3 FREE!
---	--	---

← ⊕ →		⊕ ↑	∅	↻	CODE	↔	⊕	activation turns	PRICE
4,95 mm		4,05 mm	arms 1,5 mm	0,8 mm		body mm	mm	for maximum expansion limit	
					A1621-08	12	8	35	\$29.10
					A1621-11	16	11	50	\$29.10
					A1621-13	18	13	60	\$29.10

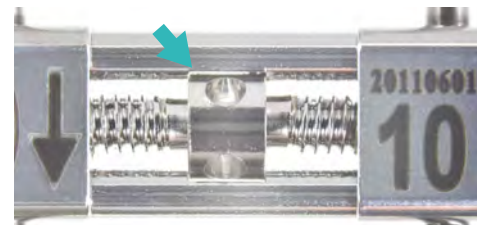
RAPID EXPANDER WITH ORTHOGONAL ARMS

The new Leone anatomical expander is the ideal solution for patients who need orthopedic maxillary expansion, as it allows the manufacture of devices with limited dimensions, maximum stability, comfort and safety. The small size of the body and the orthogonal arrangement of the bending arms allow an optimal positioning of the expander even in case of severe contraction and favor the biomechanical control of the expansion.

The unique self-centering system of the guides ensures a symmetrical and stable expansion. The package includes a swivel key with handle and instructions for use to facilitate the home endoral activation.

The arm bending and self-locking instrument REF P0630-00 (page 24) is also available. Pack of 1

- The orthogonal position of the arms reduces the overall size of the device.
- The arms are placed within a through-hole into the body and the external laser welding make them to form an integral part of the expander, thus ensuring maximum safety and comfort for the patient.
- Compared to the previous version, the outer position of the arms inside the bodies works on further reducing the overall size and facilitates the adaptation of the expander by the technician.
- The presence of a special slot on the guide pins allows the head of the male screw to keep the guides centered throughout the treatment, ensuring a symmetrical, stable expansion and minimizing the possibility of spontaneous deactivation during therapy.
- Two different placements are possible thanks to the marking of the arrows on both sides of the screw.
- Available in three expansion capacities for every therapeutic need.



NEW

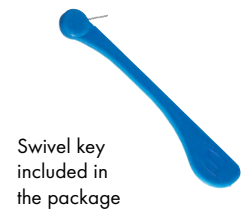
**SPECIAL:
BUY 200*
GET 75
FREE!**

**SPECIAL:
BUY 70*
GET 25
FREE!**

**SPECIAL:
BUY 10*
GET 3
FREE!**



**LEARN
MORE**



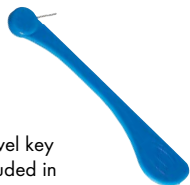
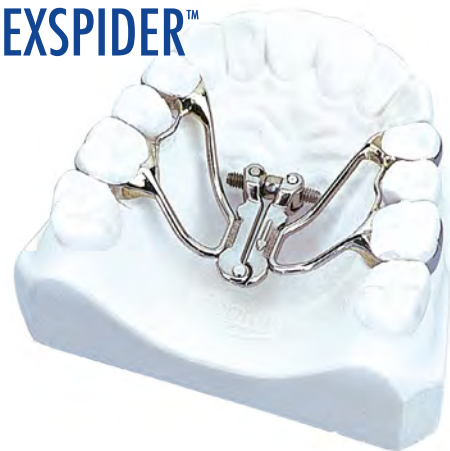
		CODE	\varnothing				activation turns	PRICE
6 mm	4,5 mm		arms mm	body mm	mm	mm	for maximum expansion limit	
		A0631-08	1,5	12	8	0,8	40	\$30.30
		A0631-10	1,5	14	10	0,8	50	\$30.30
		A0631-12	1,5	16	12	0,8	60	\$30.30

FAN-TYPE RAPID EXPANDER: STANDARD AND MINI

Conceived with the cooperation of Dr. Eleonora Schellino and Prof. Remo Modica

Made entirely of biomedical stainless steel. The expanding arms are laser welded to the screw body. Laser engraved directional arrows on the **MIM®** body. It is a device for the rapid expansion of the palate that allows you to get a widening of the single anterior sector of the maxillary arch, still maintaining minimum the expansion in the posterior sector. It self-deactivates when maximum expansion capacity has been achieved preventing overtreatment. The difference between the two models is the geometric shape of the front part: A0625-07 is designed to be placed as high as possible in the palate vault thus ensuring the minimum bulkiness achievable. The overall size is approximately 20-25% less than the 9 mm version.

Provided with one swivel key with handle and instructions for use to facilitate the patient endoral activation. The arm bending and self-locking instruments P0625-09 (Page 24) for expander A0625-09 and P0625-07 (Page 24) for A0625-07 mini expander are also available. Packs of 1



Swivel key included in the package

**SPECIAL:
BUY 3* GET
1 FREE!**

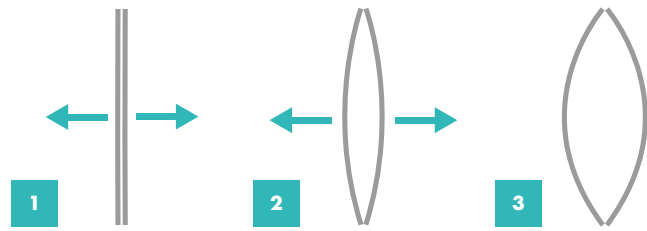
	CODE	→←	↻	activation turns	PRICE
		mm	mm	for maximum expansion limit	
	A0625-09	9	0,9	40	\$56.50
	A0625-07	7	0,9	31	\$56.50



*Comparison between standard and mini

LEAF EXPANDER SERIES^(PATENTED)

The Leaf Expander series looks like a rapid palatal expander with the addition of Nickel Titanium **MEMORIA**[®] leaf springs. The biomechanical action of this expander series is due to the super-elastic properties of the Nickel Titanium unique leaf shaped springs, which release controlled and continuous force. Expander selection, among the 4 different combination of size and force, is decided based on the transverse discrepancy and dentition/age of the patient. The Leaf Expander reactivation is completed in the dental office according to a simple and straightforward suggested clinical protocol, while the Leaf Self Expander does not need any periodic reactivation at all.



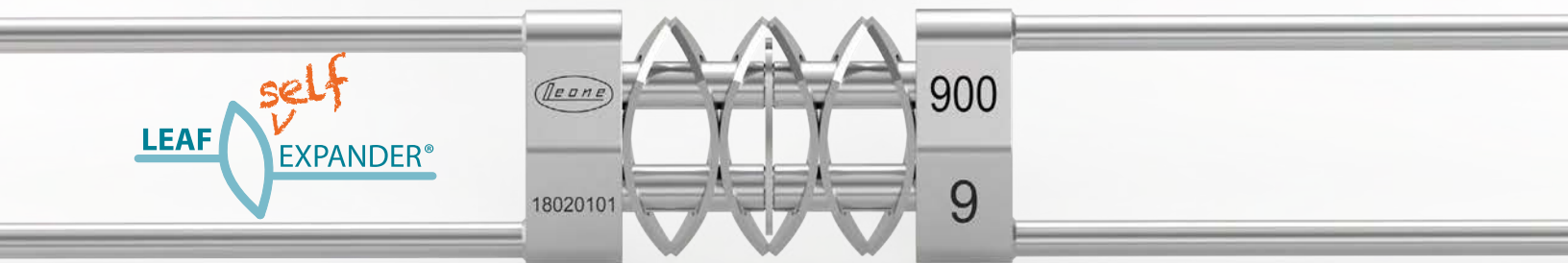
Behaviour of **MEMORIA**[®] LEAF springs during expansion

- SUBSTANTIAL AND WELL-PROVEN CLINICAL RESULTS *

- FULL CONTROL OF THE MAXILLARY EXPANSION TREATMENT THANKS TO PREDETERMINED, CALIBRATED AND CONSTANT FORCE RELEASED BY THE LEAF SPRINGS.



**COMPLIANCE FREE,
NO HOME ACTIVATION REQUIRED!**



**COMPLIANCE FREE; NO MORE HASSLE
WITH ACTIVATION, NEITHER DOMESTIC OR CLINICAL!**

* Lanteri, C.; Beretta, M.; et al (2016). "The Leaf Expander for Non-Compliance Treatment in Mixed Dentition". The Journal of Clinical Orthodontics, Vol 50.9.
 Manzella, K.; Franchi, L.; Al-Jewair, T.; (2018). "Correction of Maxillary Transverse Deficiency in Growing Patients with Permanent Dentitions". The Journal of Clinical Orthodontics, Vol 51.3.
 Lanteri, C.; Lanteri, V.; et al (2017). "New Horizons of Maxillary Expansion in Interceptive Orthodontics". Bollettino di Informazioni Leone, Vol 100. Translated from Italian.
 Lanteri V; Beretta M., Gianolio A., Cossellu G; Farronato GP Maxillary Tridimensional Changes After Slow Expansion With Leaf Expander® in a sample of growing patients: a pilot study. European Journal of Paediatric Dentistry 19/1: 263-268 2018
 Paoloni V., Giuntini V., Lione R., Nieri M., Barone V., Merlo M., Mazza F., Passaleva S., Cozza P., Franchi L., Comparison of the dento-skeletal effects produced by Leaf expander versus rapid maxillary expander in prepubertal patients: a two-center randomized controlled trial, European Journal of Orthodontics, June 2021

MEMORIA® LEAF SPRING ACTIVATED EXPANDER (PATENTED)

This expander features a small size body, and it is equipped with two Nickel Titanium **MEMORIA®** leaf springs allowing the release of calibrated and continuous forces to promote the expansion of the maxillary arch. Re-loading is needed when the two opposing leaf springs move apart: the endoral activation, which must be done in the dental office, will put the springs in contact again thus allowing the release of the selected force. The expander is available in two models, 450 g and 900 g and each one of these is available in two expansion capacities: 6 mm and 9 mm. The expander is supplied with the leaf springs (2 or 3 according to the size) ready-compressed by two metal staples that the technician will remove after the construction of the device. The package includes a special clip with safety leash to keep the leaf springs compressed, facilitating the technician and the clinician in specific phases of the realization and treatment. Inside the package are also available practical instructions for use where all the construction steps and methods of delivery to the clinician are illustrated. Supplied with a swivel key with handle to facilitate the endoral activation by the professional. The arm bending and self-locking instrument PO620-00 (Page 24) is also available. Packs of 1

LEAF EXPANDER®

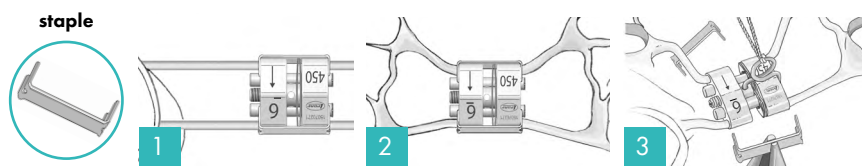
ok
ORTHODONTICS
FOR KIDS



NEW
STAPLE



Swivel
key + clip
included in
the package

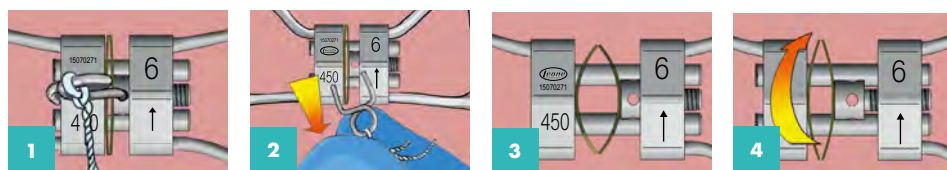


		CODE	∅	←→	↺	↻	activation turns	PRICE
11 mm	4 mm		arms mm	body mm	mm	mm	for maximum expansion limit	
		A2703-06 2 springs 450 g approx	1,5	12	6	0,4	30	\$53.60
		A2704-06 2 springs 900 g approx	1,5	12	6	0,4	30	\$53.60
		A2703-09 3 springs 450 g approx	1,5	12	9	0,4	45	\$59.00
		A2704-09 3 springs 900 g approx	1,5	12	9	0,4	45	\$59.00

SPECIAL:
**BUY 200*
GET 75
FREE!**

SPECIAL:
**BUY 70*
GET 25
FREE!**

SPECIAL:
**BUY 10*
GET 3
FREE!**



After cementing, remove the clip to activate the force of the Leaf Ni-Ti springs.

At periodic appointments, activate the expansion screw to recompress the springs, and reactivate the expansion forces.

EXPANDER ACTIVATION GUIDELINES	LEAF expander cementation	FIRST visit	SECOND visit	THIRD visit
6 mm A2703-06 - A2704-06	spring activation 0 turns	after 6 weeks	10 turns	after 4 weeks
9 mm A2703-09 - A2704-09	spring activation 0 turns	after 8 weeks	15 turns	after 6 weeks

A2700-00 EXPANSION MEASURING GAUGE FOR LEAF EXPANDER (PATENTED)

Helpful to verify the expansion gained and the need to activate the expander or compress the springs again. Easy to place design, it makes easier to check the expansion value directly into the mouth.

Made of steel, suitable for hot and cold sterilization.

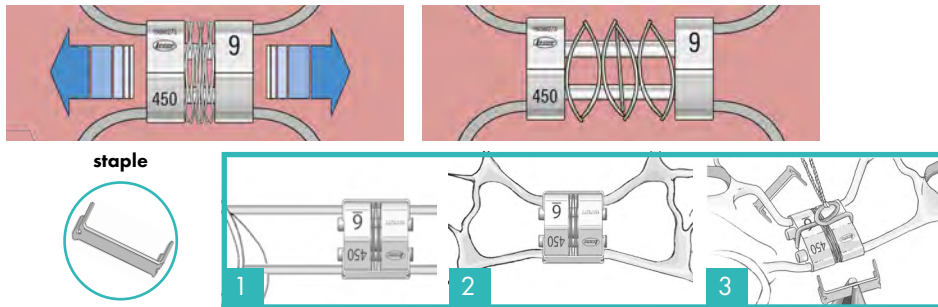
Pack of 1

PRICE \$16.00



LEAF SELF EXPANDER (PATENTED)

It includes all advantages of the Leaf expander without the need for periodic reactivation. The effectiveness of this expander is based entirely on the elastic capacity of the leaf springs made of Nickel Titanium that release controlled and continuous forces. The choice of the expander is decided on the basis of the transversal discrepancy of the patient: the therapy is predetermined and does not require any further action either by the clinician nor by the patient. The expander is available in two models, 450 g and 900 g and each one of these is available in two expansion capacities: 6 mm (four leaf springs) and 9 mm (six leaf springs). The expander is supplied with leaf springs ready-compressed by two metal staples that the technician will remove after the construction of the device. The package includes a special clip with safety leash to keep the leaf springs compressed, facilitating the technician and the clinician in specific phases of the realization and treatment. Inside the package are also available practical instructions for use where all the construction steps and methods of delivery to the clinician are illustrated. The arm bending and self-locking instrument P0620-00 (Page 24) is available. Pack of 1



	11 mm		4 mm		CODE	∅		←→	PRICE	
	arms	body	mm	mm		mm	mm			
	A2705-06	4 springs 450 g approx	1,5	12	6	\$62.30				
	A2706-06	4 springs 900 g approx	1,5	12	6	\$62.30				
	A2705-09	6 springs 450 g approx	1,5	12	9	\$67.70				
	A2706-09	6 springs 900g approx	1,5	12	9	\$67.70				

**SPECIAL:
BUY 200*
GET 75
FREE!**

**SPECIAL:
BUY 70*
GET 25
FREE!**

**SPECIAL:
BUY 10*
GET 3
FREE!**

EXPANDER FOR LOWER ARCH

TORKO™








As a result of various marketing requests, we introduce the expander with longer arms compared to the previous model.
Packs of 1



Key with safety ring leash included in the package

**SPECIAL:
BUY 10*
GET 3
FREE!**

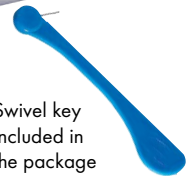
**SPECIAL:
BUY 4*
GET 1
FREE!**

					CODE		activation turns	PRICE	
	7,5 mm	4 mm	arms 1,5 mm	0,8 mm		body mm	for maximum expansion limit		
 Arm Length: 68 mm					A0623-08	12	8	35	\$25.60
 Arm Length: 68 mm					A0623-11	16	11	50	\$25.60









BABY RPE EXPANSION SCREW^(PATENTED)

Developed with the assistance and clinical experience of Prof. Nicola Veltri, the RPE baby expansion screw is intended for the rapid expansion of the palate suture, and is available with either 2 or 4 arms. The model with 4 arms may be an alternative to the expander A0620, while the model with 2 arms may be an alternative to the expander A0621/A1621. Supplied with a swivel key with handle and instructions for use to facilitate the patient endoral activation.

Packs of 1



Swivel key included in the package

			CODE					activation turns	PRICE
	6 mm	4,5 mm		arms mm	body mm	mm	mm	for maximum expansion limit	
			A3620-11	1,5	16	11	0,8	50	\$56.80
			A3621-11	1,5	16	11	0,8	50	\$56.80

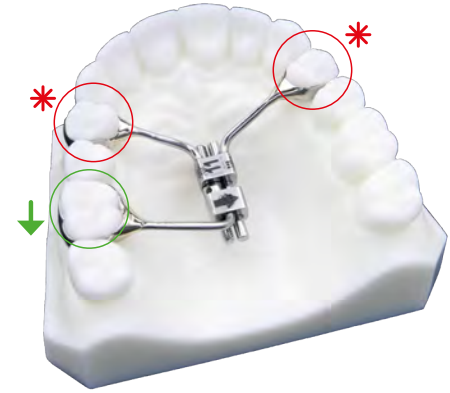
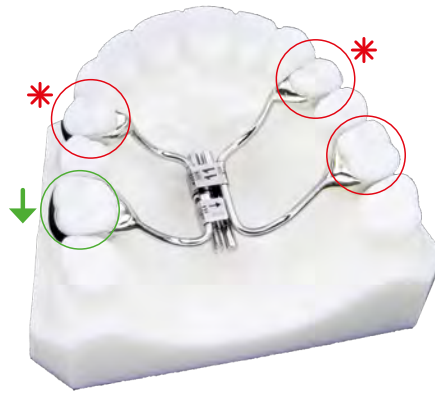
**SPECIAL:
BUY 2*
GET 1
FREE!**

* Mix & Match any size at regular price

MULTIFUNCTIONAL ORTHODONTIC SCREWS (PATENTED)

Intended for unilateral distalization and expansion of upper molars. Available with 3 or 4 arms.

Featuring one guide only and expansion capacity up to 11 mm. Packs of 1



Key with safety ring leash included in the package

* ANCHORAGE
↓ EXPECTED DENTAL MOVEMENT

			CODE					activation turns	PRICE
	6 mm	4,5 mm		arms	body	mm	mm	for maximum expansion limit	
			A3626-11	1,5	16	11	0,8	50	\$65.00
			A3628-11 DX	1,5	16	11	0,8	50	\$65.00
			A3629-11 SX	1,5	16	11	0,8	50	\$65.00

STAINLESS STEEL MICRO SPRING SCREWS			CODE	pkg.	PRICE	CODE	pkg.	PRICE	
1	Micro spring screw		4	A0650-04	10	\$30.30	A0650-95	100	\$268.50
	4	Micro spring screw		6	A0650-06	10	\$30.30	A0650-96	100
2	Micro spring screw		8	A0650-08	10	\$30.30	A0650-97	100	\$268.50
	5	Positioning screw		12	A0653-12	10	\$10.20		
3	Serrated housing nut		3	A0654-03	10	\$20.70			
	6	Solderable plain sleeve		3	A0655-03	10	\$20.70		
	One-tooth screw with round edge		6	A0665-06	10	\$20.70	A0665-95	100	\$182.70
	One-tooth screw with round edge		9	A0665-09	10	\$20.70	A0665-96	100	\$182.70
	Micro screw		6	A0660-06	10	\$20.50	A0660-95	100	\$176.90

A0668-95 MICRO SPRING SCREW KIT

Including 15 micro spring screws, 10 housing nuts, 15 positioning screws, reamer and screwdriver

PRICE \$162.20

DISTALIZER FAST BACK LEONE

A1760-91 1 case

Fast Back is a device for the distalization of upper molars, developed through the cooperation of Dr. C. Lanteri and Mr. F. Francolini. The Fast Back device provides a translation movement of the molars using a pre-determined amount of pressure. There is no need for the cooperation of the patient thus maintaining a good anchorage control. The principle of the Fast Back distalization process is based on the compression of a **MEMORIA®** coil spring, available either in 200 g or 300 g, which exerts a constant force on the molar. The spring can be re-activated each month through the expansion of the screws in the device. The tube pre welded on the molar band, enables the screw arm to slide smoothly with total control of the direction of distalisation.

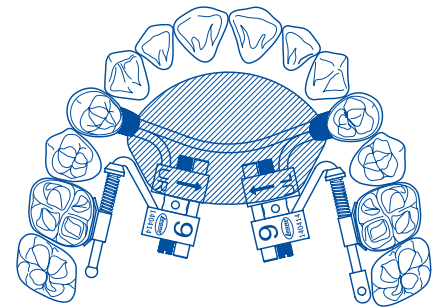
The Fast Back kit contains all the elements needed for the construction of a bilateral Fast Back device.

PRICE \$173.70



Key with safety ring leash included in the package

REFILL FOR FAST BACK LEONE		CODE	pkg.	activation turns	for maximum expansion limit	mm	PRICE
Distalizer 9 mm UR		A1760-09	1	40	0,8	\$45.20	
Distalizer 9 mm UL		A1761-09	1	40	0,8	\$45.20	
MIM® palatal tubes		A1730-04	10			\$75.30	
Spherical ends		A1763-00	10			\$14.40	
Ends with hole for ligature		A1763-05	10			\$17.30	
Spring-compression stop		A1763-01	10			\$14.40	
MEMORIA® coil spring 200 g		A1763-02	10			\$65.60	
MEMORIA® coil spring 300 g		A1763-03	10			\$65.60	
Keys		A1763-04	10			\$34.40	

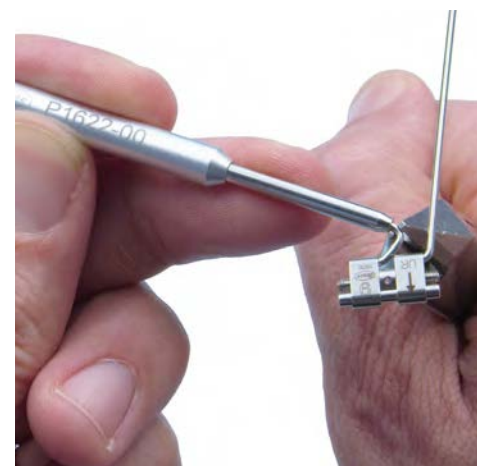


P1622-00 ARM BENDING INSTRUMENT FOR FAST BACK

It facilitates the job of the technician during the construction of the device. It allows to maintain the linearity of the arm which has to slide on the palatal tube. The aluminium handle joined to the tempered steel tube assures a firm grip to get accurate bends.

PRICE \$17.30

**SPECIAL:
BUY 2 FOR
\$13.35
EACH**

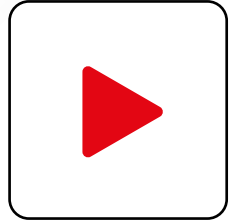


ARM BENDING AND SELF-LOCKING INSTRUMENT FOR EXPANDERS (PATENTED)

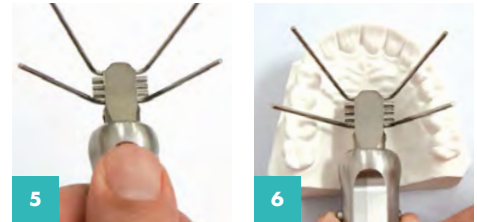
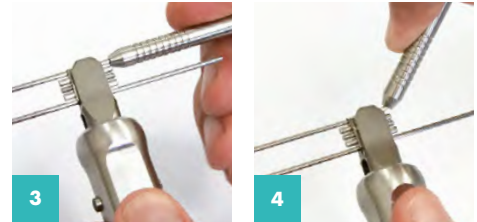
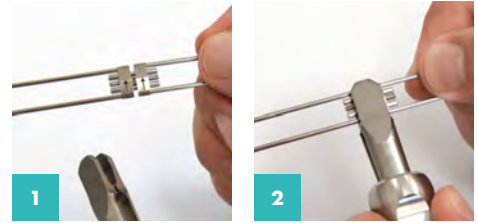
Handy instrument to firmly hold the expander; it allows for easy and accurate modeling of the arms along with the special arm bending P1620-02. The instrument ends, with a clutch mechanism, are shaped on the model of expander to avoid damage to the bodies and are kept closed by a cursor clamp device that is turned on and off with a simple thumb action. The edge thickness of the clutching ends is designed to indicate the minimum space between the body of the expander and the palatal vault. By placing the instrument with the screw on the plaster model, the correct inclination and the right height to bend the arms will be clearly visible. It is also useful to test the expander prior to use by opening and closing the expander with the special straight key.



LEARN MORE



	CODE	for expanders	PRICE
	P0620-00	A0620-08/09/11/13/15 A2620-07/10/12 A2703-06/09 A2704-06/09 A2705-06/09 A2706-06/09	\$180.30
	P0630-00	A0631-08/10/12	\$180.30
	P0621-00	A0621-08/11 A1621-08/11/13	\$180.30
	P0625-09	A0625-09	\$180.30
	P0625-07	A0625-07	\$180.30



SPECIAL: ORDER 200 RPE AT REGULAR PRICE GET ONE INSTRUMENT FREE

EXPANSION SWIVEL KEY WITH ACTIVATION COUNTER (PATENTED)

A0558-01

Pkg 10

PRICE \$21.80

SPECIAL: \$12.00 pkg/10



1 Find the first visible hole of the expander located in the oral cavity



2 Place the key with stop into the located hole of the expander



3 By using the handle, push the key to the anterior-posterior direction so as to begin the activation of the expander



4 The activation ends when a "click" is detected by the key that exceeds the offset limit on the circular end of the handle (1 click equals 1/4 turn)



5 Pull the key out of the hole when the activation is completed



6 Check that the key has reached the stop on the circular end of the handle



7 Place the tip of the white turn counter on the line corresponding to the number of turn activations done





**A0558-00
EXPANSION SWIVEL KEY**

PRICE \$21.00
Pack of 10



**SPECIAL:
\$11.00
pkg/10**



**A0556-00
CLASSIC
SWIVEL KEY**

PRICE \$15.30
Pack of 10

**A0557-00
STRAIGHT KEYS FOR
EXPANDERS**

Stainless steel.
Only for use in the laboratory.
Packs of 100
PRICE \$44.70



**BULK PACKAGE
AVAILABLE**
**A0556-90
PRICE \$100.00**
Pack of 100



**A0666-01
REAMER**

It is used to tap holes into acrylics. Suitable for all expansion screws with 0,4 mm pitch.
Refill tip A0669-00.

PRICE \$62.70

**P1520-00
SCREWDRIVER**

For micro spring screws.
Tip: 1,5 mm.

PRICE \$18.60



**P1620-02
ARM BENDING INSTRUMENT
FOR EXPANDERS**

PRICE \$22.60

Ideal to bend the expander arms with ease and precision.

**SPECIAL:
BUY 2 FOR
\$16.15
EACH**



**P1621-00
INSTRUMENT FOR
ENDORAL ACTIVATION**

PRICE \$18.90

Suggested for use with multifunctional orthodontic screws.

**SPECIAL:
BUY 2 FOR
\$12.00
EACH**



**MIM® ACTIVATOR TUBE
FOR EXTRAORAL FACEBOW**

Manufactured with Metal Injection Moulding technology, it allows high retention in acrylics. Comfortable design.

A0761-45 ∅ .045"
A0761-51 ∅ .051"

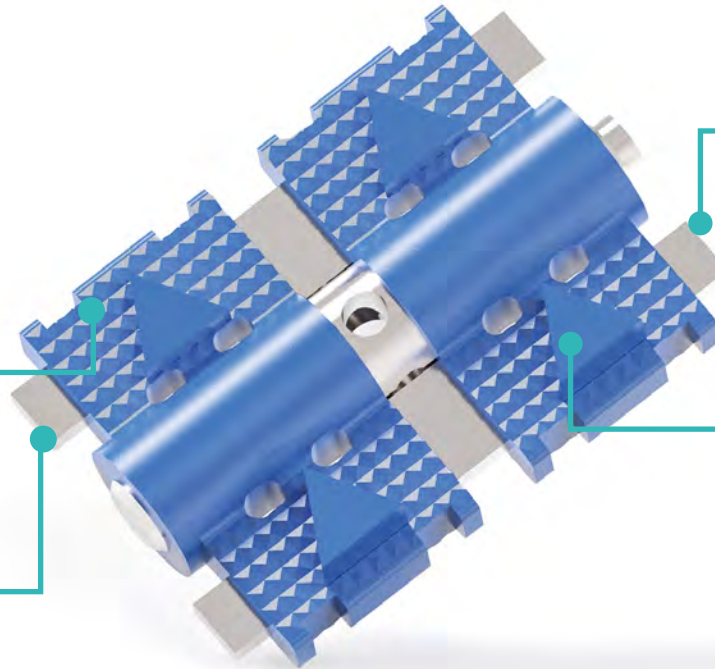
PRICE \$92.40

POP® EXPANSION SCREWS PERFECT ORTHODONTIC PERFORMANCE

THE INNOVATIVE AND BIOMECHANICAL ORTHODONTIC*
EXPANSION SCREW



**TECHNO
POLYMER**



**SELF-CENTERING
RECTANGULAR
GUIDES**

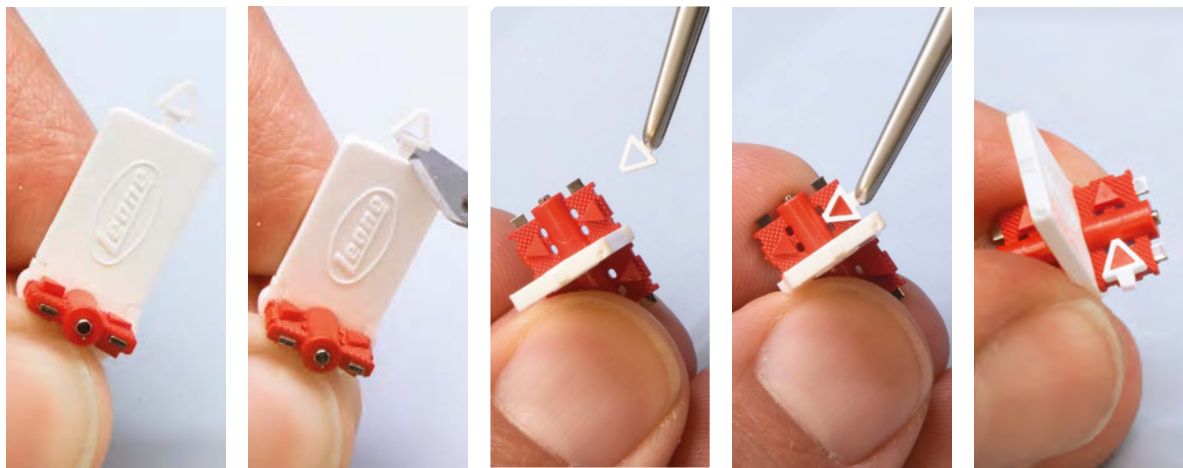
**EMBOSED
ARROWS**

**BIOMEDICAL
STAINLESS STEEL**

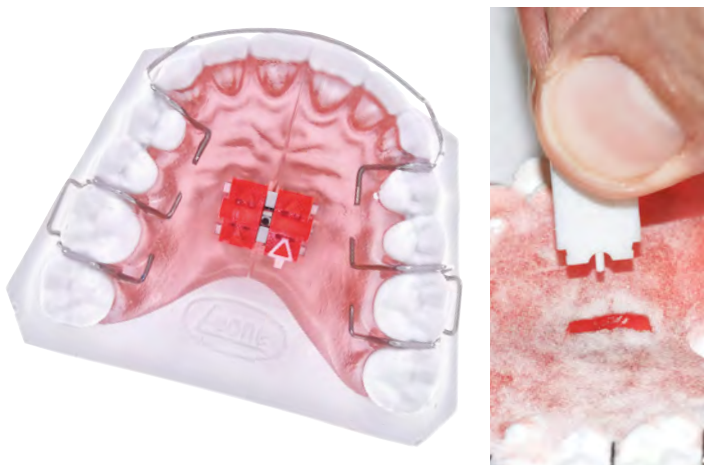
**AVAILABLE
IN 6 COLORS**

- Made of stainless steel and biomedical techno polymer.
- The male screw is not in contact with the orthodontic acrylic resin: the function of the screw will not be influenced by the quality of the technical procedure and a non-compliant curing time.
- Continuous expansion movement: the high pressure injection of the polymer allows the perfect copy of the male thread of the screw thus ensuring a steady expansion transmission without the risk of undesired turning back in the mouth.
- The self-centering rectangular guides ensure a biomechanical and absolutely controlled symmetrical expansion.
- The flat shape of the guides and their flexibility allow the gradual release of the expansion with a physiological orthodontic movement.
- The flexibility of the screw allows the adjustments of any dental regress due to inconsistent use of the appliance by the patient, thus being very effective with holding devices following a rapid expansion treatment.
- The high adaptability of the appliance enables a comfortable application in the mouth in the days following re-activation.

*Patented



LEARN MORE



- Two embossed arrows on the body indicate the direction of opening. When using a color of acrylic resin similar to the polymer body, a white arrow provided with the plastic placement tab may be easily applied to make the direction of activation visible.
- The placement plastic tab, made of two pieces combined with a unique geometry, allows a perfect protection of the holes from the acrylic resin during the packing procedure and facilitates the removal after the curing cycle.
- The screw body is available in 6 colors.

SPECIAL:
 BUY 2 pks FOR
\$35.00 EACH
 (10 pkg.)
\$165.00 EACH
 (50 pkg.)

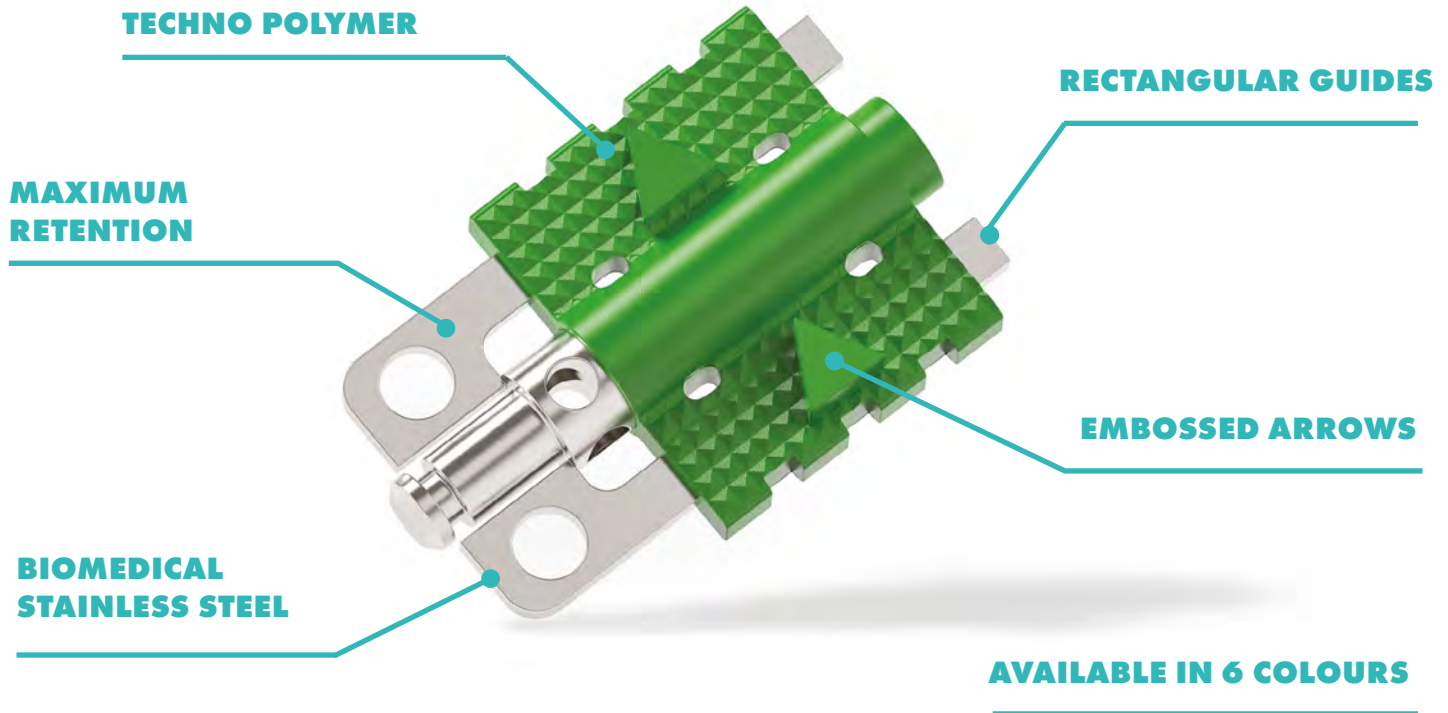
POP SCREW FOR UPPER ARCH								pkg.	PRICE					
			NEW											
	yellow	orange	red	green	silver	blue								
10 pkg.	A4805-14G	A4805-14E	A4805-14R	A4805-14V	A4805-14T	A4805-14A	9 mm	0,8mm	10	\$42.00				
50 pkg.	A4805-54G	A4805-54E	A4805-54V	A4805-54V	A4805-54T	A4805-54A	9 mm	0,8 mm	50	\$184.80				
assorted colours									x2	A4805-90	9 mm	0,8mm	12	\$42.00
assorted colours									x10	A4805-60	9 mm	0,8 mm	60	\$220.00

POP SCREW FOR LOWER ARCH								pkg.	PRICE					
			NEW											
	yellow	orange	red	green	silver	blue								
10 pkg.	A4800-12G	A4800-12E	A4800-12R	A4800-12V	A4800-12T	A4805-14A	8 mm	0,7mm	10	\$42.00				
50 pkg.	A4800-52G	A4800-52E	A4800-52R	A4800-52V	A4800-52T	A4805-54A	8 mm	0,7 mm	50	\$184.80				
assorted colours									x2	A4800-90	8 mm	0,7mm	12	\$42.00
assorted colours									x10	A4800-60	8 mm	0,7mm	60	\$220.00



POP!

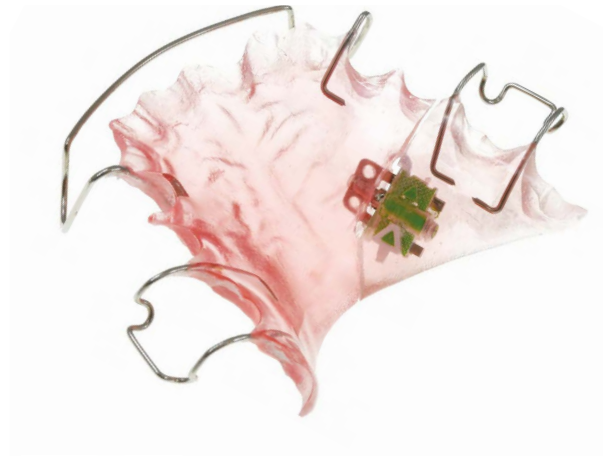
Perfect Orthodontic Performance



- The new POP® MICRO SECTIONAL SCREW is added to the already known POP SCREW range to increase the therapeutic chances.
- Made of stainless steel and biomedical techno polymer.
- The male screw is not in contact with the orthodontic acrylic resin: its functionability will not be influenced by the quality of the technical procedure and/or of non-compliant curing time.
- Continuous expansion movement: the high pressure injection of the polymer allows the perfect copy of the male screw thread thus ensuring a steady expansion transmission without the risk of undesired turning back into the mouth.
- The flat shape of the guides and their flexibility allow a more gradual deliver of the expansion forces for a physiological orthodontic movement.
- The metallic anchorage side of the screw has two through-holes in order to increase retention into the acrylic.
- The flexibility of the screw could compensate slight relapse due to inconsistent use of the appliance by the patient.

POP® MICRO SECTIONAL SCREW

- The high adaptability of the appliance enables a comfortable application into the mouth even in the days following re-activation.
- Two embossed arrows on the body indicate the direction of opening. When using a color of acrylic resin similar to the polymer body, a white arrow provided with the plastic placement tab may be easily snapped on to make the direction of activation more visible.
- Available in 6 colors.



LEARN MORE



SPECIAL:
BUY 2 pks FOR
\$55.00 EACH
(10 pkg.)
SINGLE COLOR

**CALL TO
RECEIVE A FREE
SINGLE PIECE SAMPLE**

POP® MICRO SECTIONAL SCREW								pkg.	PRICE
				7 mm	0,4 mm				
yellow	orange	red	green	silver	blue				
A4801-00G	A4801-00E	A4801-00R	A4801-00V	A4801-00T	A4801-00A			10	\$59.00
assorted colours					x2			12	\$70.00
					A4801-90				

STANDARD EXPANSION SCREWS

The Leone expansion screws for removable orthodontic appliances derive from 80 years of extensive research, design and millions of clinical cases. The entire production process takes place in Italy with computer aided automated machines. The screws are made of biomedical stainless steel of the highest quality and male screw threads with centesimal tolerances and total absence of surface roughness. The bodies and the guides are made with tolerances of ± 0.01 mm which ensure stability and precision. The wide range available allows the production of any type of removable device.

DIRECTIONAL ARROW

WELL VISIBLE

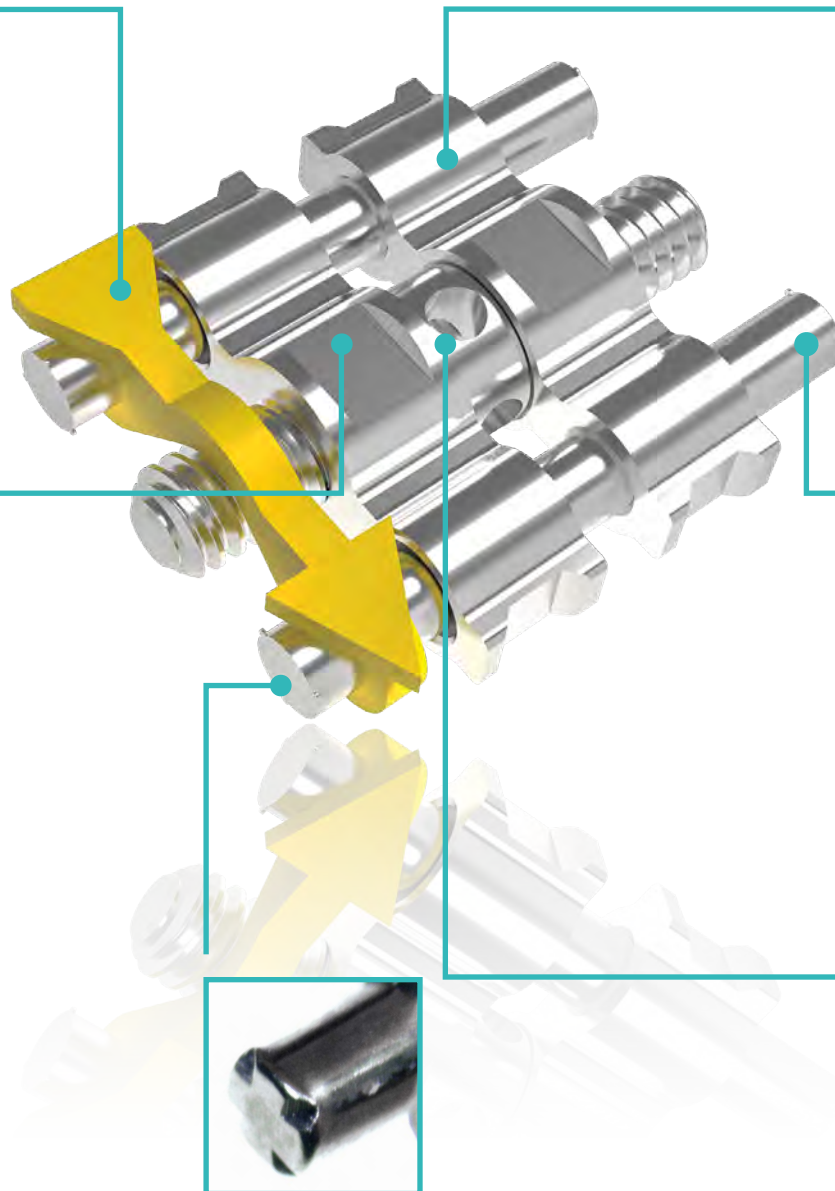
STAINLESS
STEEL BODY

SAFE
RETENTION
INTO ACRYLIC

RECTIFIED
GUIDED
PINS

BUILT-IN
SCREW STOP
AT THE STROKE END

ANTI-SLIPPAGE
SCREW



STANDARD SCREW FOR UPPER APPLIANCES				CODE			pkg.	PRICE
	<p>11 mm</p>	<p>9,85 mm</p>	<p>3,5 mm</p>	A0805-111	7mm	0,8mm	1	\$3.80
				A0805-11			10	\$36.90
				A0805-95			100	\$289.40
	<p>14 mm</p>	<p>9,85 mm</p>	<p>3,5 mm</p>	A0805-141	9mm	0,8mm	1	\$3.80
				A0805-14			10	\$36.90
				A0805-96			100	\$289.40

MEDIUM SCREW				CODE			pkg.	PRICE
	<p>11 mm</p>	<p>7,25 mm</p>	<p>3 mm</p>	A0803-11	7mm	0,8mm	10	\$36.90
				A0803-95			100	\$289.40
				A0803-14			10	\$36.90
	<p>14 mm</p>	<p>7,25 mm</p>	<p>3 mm</p>	A0803-96	9mm	0,8mm	100	\$278.30

UNIVERSAL SCREW				CODE			pkg.	PRICE
	<p>10 mm</p>	<p>6,4 mm</p>	<p>3 mm</p>	A0800-10	6mm	0,7mm	10	\$36.90
				A0800-95			100	\$289.40
				A0800-12			10	\$36.90
	<p>12 mm</p>	<p>6,4 mm</p>	<p>3 mm</p>	A0800-96	8mm	0,7mm	100	\$289.40

SUPER MICRO SCREW				CODE			pkg.	PRICE
	<p>11 mm</p>	<p>4,6 mm</p>	<p>2,5 mm</p>	A0890-111	6mm	0,7mm	1	\$7.70
				A0890-11			10	\$74.00
				A0890-95			100	\$648.70

QUANTITY DISCOUNT FOR PAGE 31, 32,34

BUY \$450 MIX AND MATCH AND GET A 25% DISCOUNT!

SUPER MICRO SECTIONAL SCREW		CODE			pkg.	PRICE
	<p>← 9 mm →</p> <p>↑ 2.5 mm ↓ 4.6 mm</p>	A0891-09	3mm	0,35mm	10	\$74.00
		A0891-95			100	\$648.70
	<p>← 10 mm →</p> <p>↑ 2.5 mm ↓ 4.6 mm</p>	A0891-10	3mm	0,35mm	10	\$74.00
		A0891-96			100	\$648.70

MICRO SECTIONAL SCREW WITH BENT U-SHAPED GUIDE PIN		CODE			pkg.	PRICE
	<p>← 13 mm →</p> <p>↑ 3 mm ↓ 7.25 mm</p>	A0802-00	4mm	0,4mm	10	\$53.60
		A0802-95			100	\$471.20
	<p>← 13 mm →</p> <p>↑ 3 mm ↓ 7.25 mm</p>	A0802-13	4mm	0,4mm	10	\$53.60
		A0802-96			100	\$471.20

MICRO SECTIONAL SCREW WITH STRAIGHT U-SHAPED GUIDE PIN		CODE			pkg.	PRICE
	<p>← 12 mm →</p> <p>↑ 3 mm ↓ 7.25 mm</p>	A0801-12	4mm	0,4mm	10	\$53.60
		A0801-96			100	\$471.20
	<p>← 14 mm →</p> <p>↑ 3 mm ↓ 7.25 mm</p>	A0801-13	6mm	0,4mm	10	\$53.60
		A0801-98			100	\$471.20
	<p>← 14 mm →</p> <p>↑ 3 mm ↓ 7.25 mm</p>	A0801-14	4mm	0,4mm	10	\$53.60
		A0801-97			100	\$471.20

MICRO SECTIONAL SCREW		CODE			pkg.	PRICE
	<p>← 10 mm →</p> <p>↑ 3 mm ↓ 7.25 mm</p>	A0801-10	4mm	0,4mm	10	\$53.60
		A0801-95			100	\$471.20
	<p>← 12 mm →</p> <p>↑ 3 mm ↓ 7.25 mm</p>	A0801-00	6mm	0,4mm	10	\$53.60
		A0801-99			100	\$471.20

QUANTITY DISCOUNT FOR PAGE 31, 32,34

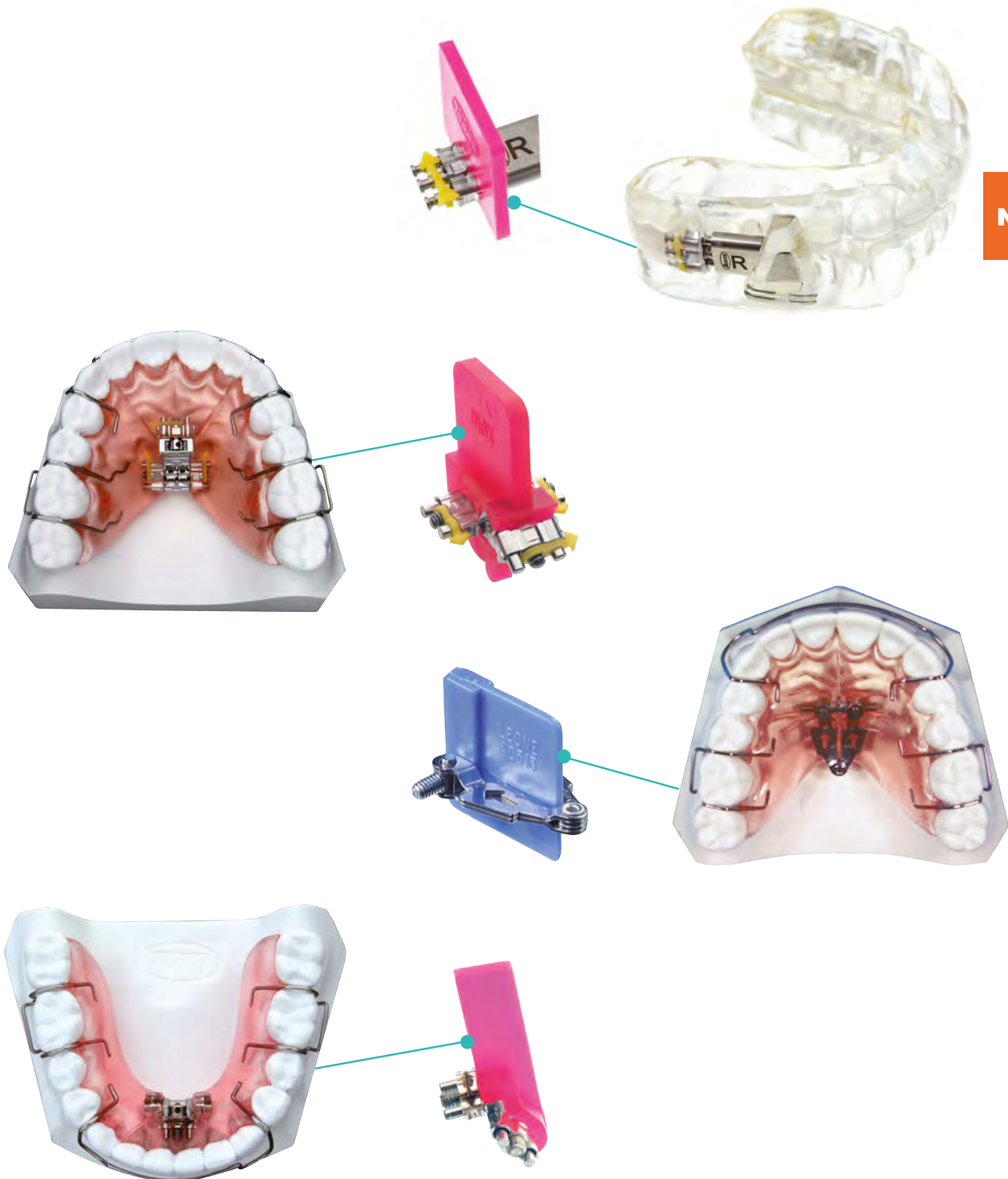
BUY \$450 MIX AND MATCH AND GET A 25% DISCOUNT!

SPECIAL PURPOSE EXPANSION SCREWS

The assortment of special expansion screws proposed by Leone derives from over 30 year experience in the manufacture of expansion screws. The screw selection ranges from the Pagani classical fan-type screw, to the Bertoni three directional ones up to the kit for the construction of the Twin Wing class II corrector.

The special purpose expansion screws are made of biomedical stainless steel with a mechanical tolerance superior to 1/100 mm.

The thread parts are absolutely smooth and they ensure great sturdiness, good friction and prevent from any unwanted turning back



NEW

THREE DIRECTIONAL SCREW ANATOMICAL			CODE			pkg.	PRICE
<p>3 activation points</p>	<p>14 mm</p>		A0930-14	3 mm	0,4mm	1	\$28.10
			A0930-93	3 mm	3 mm	5	\$123.90
	<p>16 mm</p>		A0930-16	4 mm	0,4mm	1	\$28.10
			A0930-94	4 mm	4 mm	5	\$123.90

THREE DIRECTIONAL SCREW ANATOMICAL			CODE			pkg.	PRICE
<p>2 activation points</p>	<p>14 mm</p>		A0931-14	3 mm	0,4 mm protrusive	1	\$28.10
			A0931-93	6 mm	0,8 mm transversal	5	\$123.90
	<p>16 mm</p>		A0931-16	4 mm	0,4 mm protrusive	1	\$28.10
			A0931-94	8 mm	0,8 mm transversal	5	\$123.90

FAN-TYPE SCREW			CODE			pkg.	PRICE
	<p>15 mm</p>		A0515-14	9mm	0,8mm	1	\$12.30
			A0515-95	100	\$1,079.70		

ASYMMETRIC FAN-TYPE SCREW			CODE			pkg.	PRICE
	<p>15 mm</p>		A0516-14	9mm	0,8mm	1	\$16.10
			A0516-95	100	\$1,420.70		

FAN-TYPE SCREW 2 PIECES			CODE			pkg.	PRICE
	<p>14 mm</p>		A0815-14	9mm	0,8mm	1	\$12.30
			A0815-95	100	\$1,079.70		

QUANTITY DISCOUNT FOR PAGE 31, 32,34

BUY \$450 MIX AND MATCH AND GET A 25% DISCOUNT!

TWIN WING

NEW

CLASS II CORRECTOR KIT

A0840-05 1 appliance **\$ 85.00**

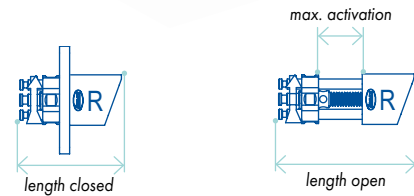
Thanks to our experience gained with MAD appliance and based on the fundamentals of the most widely used orthodontic appliance for the treatment of Class II patients with mandibular retraction, we have miniaturized and reengineered the Forward! to manufacture the Twin Wing.

The kit, especially designed for the realization of this innovative appliance, contains all the components for an easier and more precise construction.

The appliance, thanks to the 70° inclination between the upper screws and the lower wings, scientifically and clinically proven as the most efficient for the stimulation of the mandibular growth, allows the millimetric advancement of the lower jaw. Moreover, in case of deep bite, since the occlusal surface can be kept free from the presence of block, it is possible to exclude some teeth from the contact with the acrylic, promoting a guided extrusion and consequently the resolution of vertical problems.

The kit for the construction of 1 appliance is made up of:

- 2 upper screws, 1 right and 1 left
- 2 lower wings with steel frame, 1 right and 1 left



	CODE	length closed	length open	↔	↻	PRICE
				max. activation	4 activations	
	A0840-05	15 mm	20 mm	5 mm	0,4 mm	\$85.00

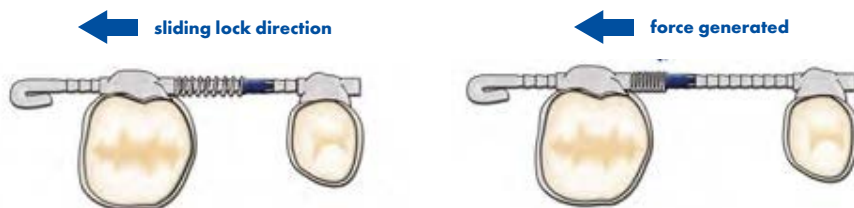
REFILLS FOR TWIN WING	CODE	PRICE
Lower wings with inner steel frame 	A0841-00	Pack content: - 1 lower right wing with steel frame - 1 lower left wing with steel frame \$39.00

INMAN POWER COMPONENT

For the fabrication of low-cost distalization appliances, the Inman Power Component sets the standard in the application and control of distalization force.

Now any quality laboratory can offer their customers appliances that are simple to adjust, completely controllable and are comfortable for patients. The Inman IPC provides all the necessary components to make an endless variety of quality appliances. With the IPC kit, 5 distalizers or a combination of distalizers and e-arches can be fabricated. The IPC's compressed coil spring provides an easy-to-adjust force controlled by a unidirectional sliding lock. The lock can be advanced 1-mm "click" at a time for accurate, predictable activation. The concept and function of the IPC is simplistic beauty and allows adjustment by the patient or patient's guardian, making it a very efficient appliance choice. In appliance fabrication, time is money, and with the Inman IPC, you will spend less time to make a quality product.

The Inman Power Component is sold as a kit, or you can purchase all the individual parts separately.



USAGE

The infinite number of uses of this simple, dependable component will develop over time, and we encourage you to use your imagination and knowledge to help us discover all of the IPC's potential. Inman Orthodontic Laboratories will work with you on any ideas you may have for the IPC, and we will reward you for documented case results using your designs.

THE FORCES

The IPC compresses coil springs with an easy-to-adjust unidirectional sliding lock. The lock can be advanced 1-mm "click" at a time for accurate, predictable activation.

ACTIVATING THE IPC APPLIANCES

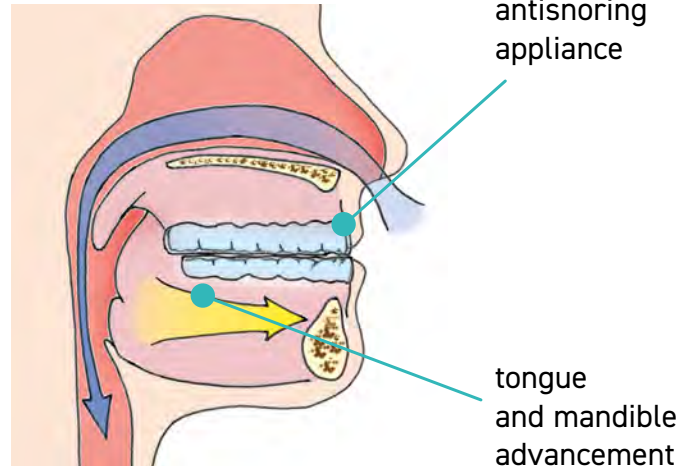


Activation Tool

CODE	DESCRIPTION	PRICE
031-IPC01K	The IPC Kit (contains: (10) IPC Assy, (10) Welded Tubes Combination, (5) Plain Tubes 50mm, (8) Plain Tubes 4.5 mm, (1) Spool NiTi Open Coil Spring Wire	\$241.50
The IPC Quantity Package:		
031-IPC02X20	Qty 20 – IPC Inman Power Component Assy 20 Pak	\$272.00
Refills for the IPC Kit:		
031-IPC02	Qty 10 – IPC Inman Power Component Assy	\$167.00
031-IPC03	Qty 10 – Welded tube wire combination, 4.5 mm tube with 0.040 inside diameter for welding to 60 mm 0.036 wires	\$38.90
031-IPC04	Qty 05 – Plain tube, 50 mm in length with inside diameter of 0.040	\$12.60
031-IPC05	Qty 08 – Plain tube, 4.5 mm with inside diameter of 0.040	\$9.70
031-IPC06	Qty 01 – Spool of 012/.045 NiTi open coil spring wire, approx. 15.5" length	\$17.90
Optional Component		
031-IPCTOOL	Qty 1 - IPC adjustment tool	\$14.20

M.A.D. SERIES LEONE

These intraoral nighttime appliances can treat snoring acting directly on the mechanism which is the main cause of it, pushing the lower jaw in a forward position. Mandibular repositioning pushes forward also the tongue and the epiglottis, spacing them from the uvula, thus to solve soft tissues vibration during the airflow, that is what produce the snore sound. MAD appliances can be used for the treatment of sleep apnea (OSA) since they can solve the rear airways obstruction by restoring breathing capacity during sleeping time. The American Academy of Dental Sleep Medicine claims that the most efficient appliances are bi-maxillary type, custom-made by a dental lab and, furthermore, they must allow an additional advancement over the construction bite position, about 4-5 mm. There are all over the world, many different type of MAD appliances to treat snoring syndrome and sleep apnea: we have decided to accomplish, and improve, the elements for the realization of the most widely used appliances according even with the clinical and scientific proven efficiency. This is our proposal based on the requirements of any clinical specialist: **appliance efficiency, high safety standards and stability and comfort for the patient.**



ANTISNORING BIMAXILLARY DORSAL TYPE APPLIANCES

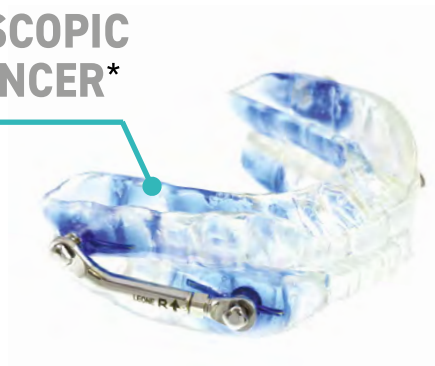
FORWARD!*



FORWARD!
MAX RETENTION*

TELESCOPIC ADVANCER PLUGS AND TUBE APPLIANCES

**TELESCOPIC
ADVANCER***



* Patented

FORWARD!

ANTISNORING KIT

A5300-07 1 appliance in box **\$ 92.00**

A5300-17 10 appliances in bag **\$ 900.00**

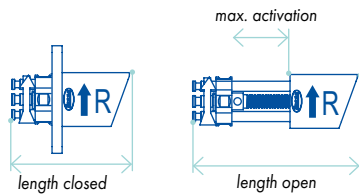
The first hardware kit specifically engineered for the antisnoring bimaxillary dorsal type appliance.






This time-saving Kit includes all the necessary components for an easier and more precise construction of the appliance.

The kit for the assembly of 1 appliance is composed of:

- 2 upper screws, 1 right and 1 left
- 2 lower wings with inner steel frame, 1 right and 1 left.

A multiple kit for the construction of 10 appliances is available



FORWARD! * ANTISNORING KIT	CODE	length closed	length open			PRICE
				max. activation	4 activations	
	A5300-07	18 mm	25 mm	7mm	0,4 mm	\$92.00
REFILLS FOR FORWARD! ANTISNORING KIT						
Lower wings with inner steel frame 	A5301-00			Pack of: - 1 left lower wing with steel frame - 1 right lower wing with steel frame		\$45.00
Screw 70° angulated body 	A5302-00			Pack of: - 1 upper right screw - 1 upper left screw		\$67.50

FORWARD! MAX RETENTION ANTISNORING KIT

NEW

A5310-07 1 appliance in box **\$ 92.00**

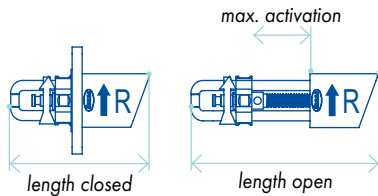
A5310-17 10 appliances in bag **\$ 900.00**

This kit is specially engineered for the realization of an antisnoring bimaxillary Dorsal type appliance and this version is featured by a higher retention capacity of the upper screws in the acrylic splint thanks to the distal "U" bent guide. It contains all the necessary components for a fast and precise construction of the appliance.

The kit for the construction of 1 appliance is made up of:

- 2 upper screws with "U" guide, 1 right and 1 left
- 2 lower wings with inner steel frame, 1 right and 1 left.

A multiple kit for the construction of 10 appliances is available.



FORWARD! ANTISNORING KIT	CODE	length closed	length open			PRICE
				max. activation	4 activations	
	A5310-07	20 mm	27 mm	7 mm	0,4 mm	\$92.00
REFILLS FOR FORWARD! MAX RETENTION						
Lower wings with inner steel frame 	A5301-00			Pack of: - 1 left lower wing with steel frame - 1 right lower wing with steel frame		\$45.00
Max Retention 70° angulated screw and "U" bent guide 	A5312-00			Pack content - 1 upper right screw - 1 upper left screw		\$67.50

FORWARD! AND FORWARD! MAX RETENTION FEATURES



The upper screws are specifically designed to get a thrust on the inclined plane of the lower unit: the protrusive anterior portion is a **metallic body perfectly inclined at 70°**, while the back portion has extensive retention capacity for the acrylic to avoid breakage. The screw mechanism has a **built-in stop** that gives both **perfect friction** and stability during the forward movement, as well as preventing the screw from coming apart once **7 mm** of maximum elongation is reached.



Each upper screw has an arrow clearly laser marked on metal front body, indicating the **direction of activation** to get the forward movement. The screws, both left and right, are specifically manufactured to get a **single direction of activation on both sides** and minimize errors. Each directional activation generates 0.1 mm advancement.



The lower wings, one right and one left, are **anatomically shaped for superior comfort** and perfect matching with the 70° inclined plane of the upper screw bodies. The clear material is fully compatible with any orthodontic acrylic resin, while the inner metallic **frame can be anatomically adapted** and incorporated into the resin of the lower splint, to ensure superior strength for the mandibular advancement in adult patients.

LEARN
MORE



TELESCOPIC ADVANCER

ANTISNORING KIT

- A5100-07** 1 **MEDIUM** appliance **\$ 115.80**
- A5200-07** 1 **LONG** appliance **\$ 115.80**
- A5100-17** 10 **MEDIUM** appliances **\$ 1,497.80**
- A5200-17** 10 **LONG** appliances **\$ 1,497.80**

The kit, specifically engineered for the fabrication of an antisnoring appliance with telescopic plugs and tubes, includes all the components for an easier and precise construction of the appliance.

- 1 kit for the assembly of 1 appliance is composed of:
- 2 telescopic arms (plug and tube), 1 right and 1 left
 - 4 housings for acrylic
 - 4 housing screws
 - 1 wrench for activation

A multiple kit for the assembly of 10 appliances is also available.



	CODE	length closed	length open	stroke max.	max.activation	4 activations	PRICE
	A5100-07 MEDIUM	26 mm	43 mm	10 mm	7mm	0,4 mm	\$115.80
	A5200-07 LONG	31 mm	53 mm	15 mm	7mm	0,4 mm	\$115.80

REFILLS FOR TELESCOPIC ADVANCER KIT

Housing screws and wrench for activation		A5101-00	Pack content: - 4 housing screws - 1 wrench for activation	\$16.50
Housings with screws and wrench for activation		A5101-01	Pack content: - 4 housings for acrylic - 4 housing screws - 1 wrench for activation	\$26.00
MEDIUM Telescopic Arms		A5101-02	Pack content: - 1 Telescopic Arm MEDIUM right - 1 Telescopic Arm MEDIUM left	\$93.50
LONG Telescopic Arms		A5201-00	Pack content: - 1 Telescopic Arm LONG right - 1 Telescopic Arm LONG left	\$93.50

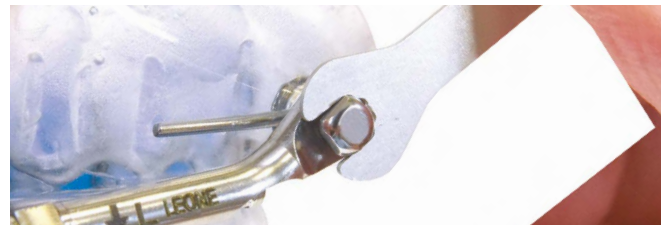
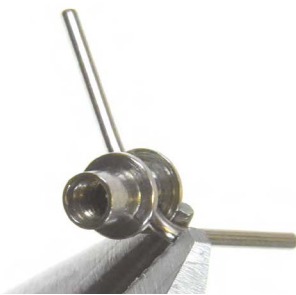
**P1515-00
FAN-TYPE WRENCH**

Thanks to its design, this screwdriver allows you to easily tighten the fixing screws for support of the Telescopic Advancer device.

PRICE \$78.00



The plug and tube components are manufactured by using **biocompatible stainless steel with the highest strength** available providing durability to any biomechanical stress. The plug component features a special design that does not permit the disassembling from the tube even when the patient is in mouth wide-open position.



The housings for acrylic are designed to be embedded in the acrylic splint: they feature a **laser welded wire throughout** that can be easily bent to enhance the resin retention and avoid unwanted detachment. The outer part presents a threaded portion to accommodate the square head screws binding the ends of the Telescopic arms.

The wrench for activation supplied with the kit can be used in the laboratory to tighten the square head screws.



The same instrument is necessary to activate the square head advancer screw into the plug in the direction indicated by the laser etched arrow: each quarter turn of activation produces 0.1 mm advancement. **The maximum elongation is 7mm on both sides.**



A ruler is laser etched on the wrench handle to check the activation length throughout treatment.

LEARN MORE



PLATE HOLDERS

Manufactured from non toxic, unbreakable plastic.
With inner socket for key and one space for patient's phone number.

PLATE HOLDER KIT ASSORTED COLORS

Packs of 200:
30 white, 30 pink, 40 yellow, 40 blue, 30 green, 30 orange

A3038-99 Small
PRICE \$305.00

A3039-99 Large
PRICE \$315.00



COLOUR	pkg.	CODE	PRICE	CODE	PRICE	pkg.	CODE	PRICE	CODE	PRICE
		small		large			small		large	
white	10	A3038-00	\$21.50	A3039-00	\$22.30	200	A3038-93	\$310.30	A3039-93	\$329.70
pink	10	A3038-00S	\$21.50	A3039-00S	\$22.30	200	A3038-93S	\$310.30	A3039-93S	\$329.70
yellow	10	A3038-00G	\$21.50	A3039-00G	\$22.30	200	A3038-93G	\$310.30	A3039-93G	\$329.70
blue	10	A3038-00A	\$21.50	A3039-00A	\$22.30	200	A3038-93A	\$310.30	A3039-93A	\$329.70
fluorescent	10			A3039-00F	\$34.70	200			A3039-93F	\$511.40
green	10	A3038-00V	\$21.50	A3039-00V	\$22.30	200	A3038-93V	\$310.30	A3039-93V	\$329.70
orange	10	A3038-00E	\$21.50	A3039-00E	\$22.30	200	A3038-93E	\$310.30	A3039-93E	\$329.70



R7001-00

ORTHO CLEANER LEONE

Specific product for cleaning of retainers, gumschields, removable orthodontic devices, bites, aligners and antisnoring appliances. It removes stains from tobacco, coffee, tea, iron, tartar and dental plaque.
Pack of 20 bags, 4 g each bag

PRICE \$21.80



SPECIAL:
BUY 2
\$12.00
PER BOX

LEONEAMERICA LAB WIRE

A COMPLETE RANGE FOR ANY ORTHODONTIC NEED

LEONEAMERICA LEOWIRE

(Medical Specification)

Round Spring Hard Wire

Chromium stainless steel alloy.
Diamond-drawn to obtain highly resistant and stainless, leveled surfaces.
Suitable for all orthodontic applications.
Ultimate strength: 1800/2000 N/mm2



**SPECIAL:
BUY 3 GET 1 FREE!
ALL STANDARD
SPOOL OF EQUAL
OR LESSER VALUE
ON THIS PAGE**

CODE						PRICE
	size	mm	inch	ozs.	#ft.	
CO400L07	21	0.7	.028	3	90	\$28.40
CO400L08	20	0.8	.032	3	68	\$28.40
CO400L09	19	0.9	.036	3	54	\$28.40
CO400L10	18	1.0	.040	3	44	\$28.40
CO400L11	17	1.1	.044	3	36	\$28.40
CO400L12	16	1.2	.048	3	30	\$28.40
CO400L13	15	1.3	.052	3	26	\$28.40

BIOSTEEL® ROUND SPRING HARD WIRE

NICKEL-FREE*

Stainless steel alloy purposely made to prevent any nickel allergic reactions (Cr 16,5%, Mn 11%, Mo 2,7%, N 0,5%, balance Fe). Suitable for all orthodontic applications.

CODE						PRICE
	size	mm	inch	ozs.	#ft.	
CO401-06	#22/23	0.6	.024	3	40	\$28.40
CO401-07	21	0.7	.028	3	25	\$28.40
CO401-08	20	0.8	.032	3	20	\$28.40
CO401-09	19	0.9	.036	3	10	\$28.40
CO401-10	18	1.0	.040	3	10	\$28.40

LEONEAMERICA COBALT CLASP CROZAT WIRE

(Medical Specification)

- Chromium cobalt alloy. Specifically designed for the Crozat method and for fabrication of the OSAYS appliance.
- Heat-treatable: May be soldered in open flame.
- Available in 15-23 gauge.
- Coiled spools. A softer, more malleable wire saves time when making intricate bends.

CODE						PRICE
	size	mm	inch	ozs.	#ft.	
CO410L06	22/23	0.6	.024	2/3	22	\$44.60
CO410L07	21	0.7	.028	3/4	22	\$44.60
CO410L08	20	0.8	.032	1	22	\$44.60
CO410L09	19	0.9	.036	11/3	22	\$44.60
CO410L10	18	1.0	.040	3/4	11	\$49.10
CO410L11	17	1.1	.044	1	11	\$49.10
CO410L12	16	1.2	.048	11/4	11	\$49.10
CO410L13	15	1.3	.052	11/3	11	\$49.10

BETA MEMORIA® STRAIGHT ROUND WIRE

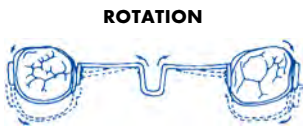
Made of Titanium Molybdenum alloy

CODE	pkg.		PRICE
	inch	35 cm long	
C7900-32	.032	10	\$117.20
C7900-36	.036	10	\$117.20

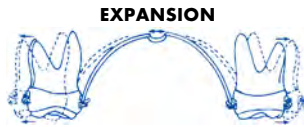
*Nickel trace elements of ≤ 0,05% are due to the process of manufacturing

PALATAL BARS

Palatal bars allow controllable movements of rotation, expansion and contraction of upper first molars. Made of heat-treated wire, 0,9 mm in diameter, to increase their tensile strength, they are easy to remove from the tubes for activation.



ROTATION




EXPANSION



C0570-96 PALATAL BAR KIT

Assorted kit of 50

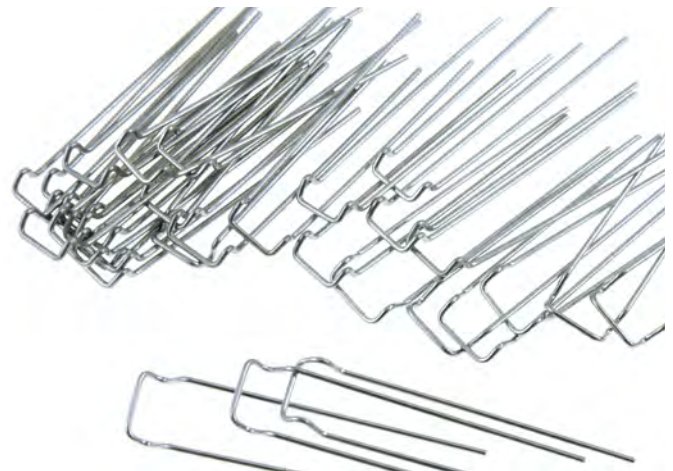
PRICE \$316.60

CODE		pkg.	PRICE
	mm		
C0570-34	34	5	\$21.50
C0570-36	36	5	\$21.50
C0570-38	38	5	\$21.50
C0570-40	40	5	\$21.50
C0570-42	42	5	\$21.50
C0570-44	44	5	\$21.50
C0570-46	46	5	\$21.50
C0570-48	48	5	\$21.50
C0570-50	50	5	\$21.50
C0570-52	52	5	\$21.50

**SPECIAL:
BUY 2
5 PACKS
GET ONE
FREE**

STANDARD ADAMS CLASPS

Spring hard stainless steel.

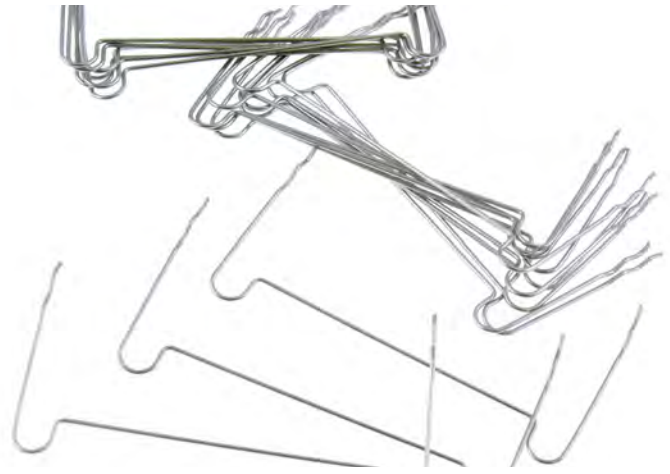


CODE		∅	pkg.	PRICE
	mm	mm		
C0580-05	5,0	0,7	10	\$9.30
C0580-055	5,5	0,7	10	\$9.30
C0580-06	6,0	0,7	10	\$9.30
C0580-065	6,5	0,7	10	\$9.30
C0580-07	7,0	0,7	10	\$9.30
C0580-08	8,0	0,7	10	\$9.30
C0580-09	9,0	0,7	10	\$9.30
C0580-10	10,0	0,7	10	\$9.30
C0580-11	11,0	0,7	10	\$9.30
C0580-12	12,0	0,7	10	\$9.30

**SPECIAL:
BUY 2
10 PACKS
GET ONE
FREE**

STANDARD LABIAL ARCHES

Spring hard stainless steel.



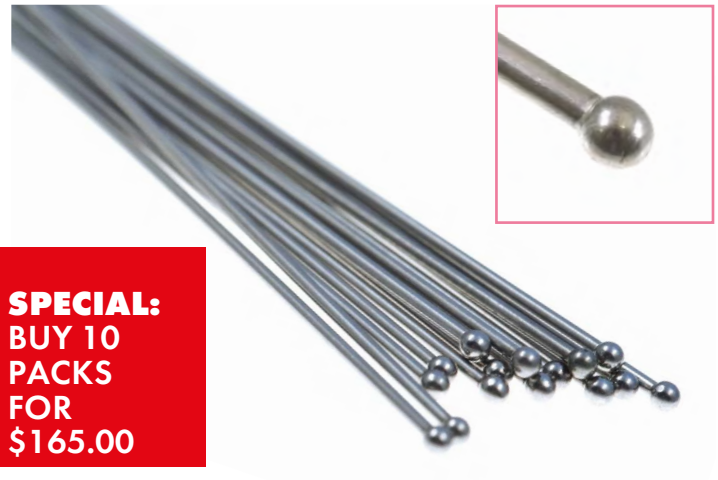
**SPECIAL:
BUY 2 FOR
\$11.50
EACH**

CODE		\varnothing	pkg.	PRICE
	mm	mm		
C0585-25	25	0,8	10	\$12.10
C0585-28	28	0,8	10	\$12.10
C0585-31	31	0,8	10	\$12.10
C0585-34	34	0,8	10	\$12.10
C0585-37	37	0,8	10	\$12.10
C0585-40	40	0,8	10	\$12.10
C0585-43	43	0,8	10	\$12.10
C0585-46	46	0,8	10	\$12.10
C0585-48	48	0,8	10	\$12.10
C0585-50	50	0,8	10	\$12.10

LEONEAMERICA BALL CLASPS

Stainless steel.

Thanks to an innovative plasma technology, the hook head is perfectly spherical.



CODE	size	pkg.	PRICE
	inch		
C1610L17	.028	100 pcs.	\$33.90
C1610L18	.032	100 pcs.	\$33.90
C1610L19	.036	100 pcs.	\$33.90

**SPECIAL:
BUY 2 FOR
\$18.00
EACH**

**SPECIAL:
BUY 10
PACKS
FOR
\$165.00**

LABIAL ARCHWIRE TUBE

K0470-00

Made of a chemically inert material, anti-adhesive, non porous, with a very low friction coefficient. Slightly thermo retractile when heated at 150°C. For wires 0,7 mm (.028") up to 0,8 mm (.031") in diameter.

PRICE \$31.00

APEX REVOLUTION SPRING

The Apex Revolution Spring is a revolutionary new appliance that is unique compared to any spring retainer before it. This retainer employs Beta Titanium memory wires for both the lingual spring and the labial bow. The wires are flattened to provide more tooth contact than a round wire. The unique properties of the Beta Titanium flat wire allow for a greater range of movement than traditional stainless-steel wire. In addition, the Beta Titanium flat wire gives approximately 60% more contact on the facial and lingual of the tooth surface delivering much greater rotational control. The Apex Revolution Spring is more comfortable and has very little interference with speech.

For instructional videos please see



Adjustable lingual and labial bows

- Predictable results
- More comfortable leading to greater patient compliance than alternatives (no plastic on lingual and facial of anterior teeth)
- Very little speech issues
- Double duty: it is an insurance policy as correction of minor movement is accomplished with the same device

SPRING SIZE	CODE	PRICE
β-Ti Kit 18mm	952	\$10.70
β-Ti Kit 20mm	953	\$10.70
β-Ti Kit 22mm	954	\$10.70
β-Ti Kit 24mm	955	\$10.70
β-Ti Kit 27mm	956	\$10.70
β-Ti Kit 29mm	957	\$10.70
β-Ti Kit 31mm	958	\$10.70
β-Ti Kit 33mm	959	\$10.70

BOW SIZE	CODE	PRICE
β-Ti Bow 25mm	960	\$10.70
β-Ti Bow 28mm	961	\$10.70
β-Ti Bow 31.5mm	962	\$10.70
β-Ti Bow 34.5mm	963	\$10.70
β-Ti Bow 37.5mm	964	\$10.70
β-Ti Bow 40.5mm	965	\$10.70
β-Ti Bow 43.5mm	966	\$10.70
β-Ti Bow 46.5mm	967	\$10.70
β-Ti Bow 49.5mm	968	\$10.70

KIT A

SPRING SIZES:

Includes 8 (1 of each size) components

1. 18.0mm
2. 20.0mm
3. 22.0mm
4. 24.0mm
5. 27.0mm
6. 29.0mm
7. 31.0mm
8. 33.0mm

PRICE \$85.10

KIT C

START-UP KIT

KIT INCLUDES:

1. 34 (2 of each) components for initial inventory
2. Free plastic containers

PRICE \$363.30

KIT B

BOW SIZES:

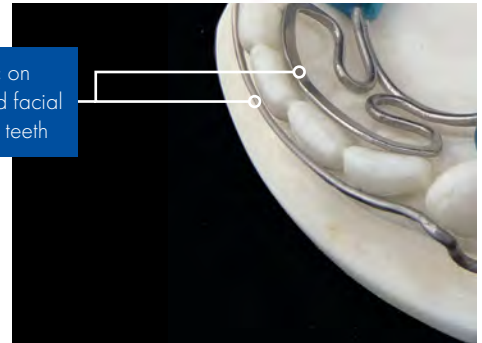
Includes 9 (1 of each size) components

1. 25.0mm
2. 28.0mm
3. 31.5 mm
4. 34.5 mm
5. 37.5mm
6. 40.5mm
7. 43.5mm
8. 46.5mm
9. 49.5mm

PRICE \$95.60



No plastic on lingual and facial of anterior teeth



Actual Case: 15 year old patient



Pre-Treatment

Post-Treatment

5 Months w/ Apex TMA®

PEDODONTIC BANDS UNIVERSAL

DESIGNED TO MEET THERAPEUTIC NEEDS OF PEDIATRIC ORTHODONTICS BY ALLOWING EARLY TREATMENT OF PATIENTS WITH MIXED OR DECIDUOUS TEETH



SHAPE AND HEIGHT

DESIGNED FOR THE ANATOMY OF DECIDUOUS MOLARS

EASY FIT

TO THE PYRAMID-SHAPE OF PRIMARY MOLARS



LASER-MARKING OF SIZES

ALLOWS THE STERILIZATION AT HIGH TEMPERATURES AND AN OPTIMAL VIEW OF SIZING OVER TIME

USEFUL IN THE CONSTRUCTION OF PALATAL EXPANDERS AND SPACE MAINTAINERS



FREE PREWELDING SERVICE

CUSTOM PREWELDING SERVICE TO TUBE, BRACKET OR ACCESSORY WITH ITEM CODE G, CONTACT LEONEAMERICA FOR ASSISTANCE

PEDODONTIC BANDS UNIVERSAL DECIDUOUS MOLARS UPPER AND LOWER

Available in 10 sizes, either for upper and lower, with LASER etched identification number.

The medium temper of biomedical steel used to manufacture the bands allows the adaptation to the pyramidal shape of the primary molars by minimizing the problems of detachment. Necessary for the construction of palatal expanders and space maintainers.



Always specify the size when ordering e.g.: E6100-05

CODE		pkg.	PRICE
E6100-00	Upper - PU sizes 1-10	5	\$22.40
E6500-00	Lower - PL sizes 1-10	5	\$22.40

E6165-96 ASSORTMENT PEDODONTIC BANDS UNIVERSAL - KIT

The kit is composed of 5 universal pedodontic bands each upper and lower size, total 100 pcs. The tray is not autoclavable.

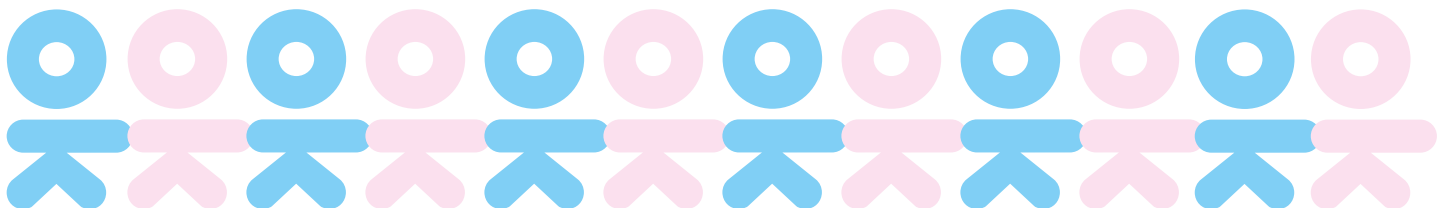
PRICE \$175.20



ORTHODONTICS FOR KIDS

EARLY TREATMENT OPTIONS ARE CONTINUOUSLY A POPULAR TOPIC IN THE WORLD OF ORTHODONTICS. BY DEVELOPING PRODUCTS THAT CORRESPOND WITH THIS GOAL, LEONEAMERICA HOPES TO MEET THE NEEDS OF THE ORTHODONTISTS AND PEDIATRIC DENTISTS WORKING TO OPTIMIZE TREATMENT FOR THEIR PATIENTS.

WHEREVER THE OK ORTHODONTICS FOR KIDS LOGO IS FOUND, ORTHODONTISTS AND PEDIATRIC DENTISTS CAN REST ASSURED THAT THE PARTICULAR PRODUCT IS APPROPRIATE AND RECOMMENDED ESPECIALLY FOR PEDIATRIC TREATMENT.



CALIBRA® ANATOMICAL BANDS

MADE OF HARD HEAT-TREATED STAINLESS STEEL

GRADUATED THICKNESS
BY VARIATION IN TOOTH SIZE

**INNER SURFACE
ROUGH FINISH**

FOR MAXIMUM STABILITY
AND INCREASED RETENTION



ANATOMICALLY CORRECT
WIDE RANGE OF SIZES

LASER-MARKING OF SIZES
IT ALLOWS THE STERILIZATION
AT HIGH TEMPERATURES AND A
DURABLE GOOD VIEW OF SIZING



FREE PREWELDING SERVICE

CUSTOM PREWELDING SERVICE TO ANY TUBE,
BRACKET OR ACCESSORY WITH ITEM CODE G.
READY DELIVERY OF STANDARD PREWELDED BANDS
FOR THE MOST COMMONLY USED TECHNIQUES.
CONTACT LEONEAMERICA FOR ASSISTANCE.



WIDE CHOICE
OF ASSORTMENTS
IN AUTOCLAVABLE TRAYS

SEE THE CONVERSION CHARTS AT PAGES 65 AND 66 OF **CLINICAL PRODUCTS** SECTION

UPPER AND LOWER BICUSPIDS

Available in 32 sizes either for maxillary or mandibular arch, with LASER etched identification number. Their anatomical shape with contoured edges is designed for use with either right or left. Thickness of 0,15mm and optional seating lug. The hard temper and a rough inner surface finish considerably improve cement retention.



Always specify the size when ordering e.g.: E5101-11

CODE		pkg.	PRICE
E5101-00	Upper with lug - U	10	\$21.50
E5501-00	Lower with lug - L	10	\$21.50
E5100-00	Upper without lug - U	10	\$21.50
E5500-00	Lower without lug - L	10	\$21.50
E5151-00	Upper with lug - U	5	\$14.20
E5551-00	Lower with lug - L	5	\$14.20
E5105-00	Upper without lug - U	5	\$14.20
E5505-00	Lower without lug - L	5	\$14.20

**SPECIAL:
BUY 2
10 PKGS
GET 1
FREE**

**SPECIAL:
BUY 2
KITS
GET 1
FREE**

REFERENCE THE CHARTS BELOW FOR AVERAGE SIZING NEEDS

ASSORTMENTS	ASSORTED KIT OF 92 BANDS ON AVERAGE USE	CODE	PRICE
quantity each size		E5101-92	5 4 4 5 U with lug \$198.70
		E5100-92	5 4 4 5 U without lug \$198.70

ASSORTMENTS	ASSORTED KIT OF 92 BANDS ON AVERAGE USE	CODE	PRICE
quantity each size		E5501-92	5 4 4 5 L with lug \$198.70
		E5500-92	5 4 4 5 L without lug \$198.70

UPPER AND LOWER 1ST MOLAR BANDS

Available in 36 right sizes and 36 left sizes either for maxillary or mandibular arch, with LASER etched identification number. The hard temper, the anatomical design, the diversified thickness and the rough inner surface finish make the band selection easy and improve cement retention.

Always specify the size when ordering e.g.: E1200-06



CODE		pkg.	PRICE
E1200-00	Upper right - UR	10	\$21.50
E1300-00	Upper left - UL	10	\$21.50
E1600-00	Lower right - LR	10	\$21.50
E1700-00	Lower left - LL	10	\$21.50
E1205-00	Upper right - UR	5	\$14.20
E1305-00	Upper left - UL	5	\$14.20
E1605-00	Lower right - LR	5	\$14.20
E1705-00	Lower left - LL	5	\$14.20

K6378-00 RADIO OPAQUE SEPARATORS IN MODULES

Their circular section allows an easy application assuring a gradual and comfortable separation of the teeth before the application of the bands. Radio opaque for a secure X-ray visualization.

Pack of 100 modules, 10 rings each

PRICE \$80.00






REFERENCE THE CHARTS BELOW FOR AVERAGE SIZING NEEDS

ASSORTMENTS	ASSORTED KIT OF 78 BANDS ON AVERAGE USE	CODE	PRICE
quantity each size			
		E1200-92 6 UR R \$168.50	
		E1300-92 6 UL L \$168.50	
		E1600-92 6 LR R \$168.50	
		E1700-92 6 LL L \$168.50	

ASSORTMENTS	ASSORTED KIT OF 156 BANDS ON AVERAGE USE	CODE	PRICE
quantity each size			
		E1200-94 6 UR R \$336.80	
		E1300-94 6 UL L \$336.80	
		E1600-94 6 LR R \$336.80	
		E1700-94 6 LL L \$336.80	

CONVERTIBLE MIM® BUCCAL TUBES

The laser welded convertible cap prevents from any detachment and it is easy removable with the special Leone cap removing plier. Every tube is available: in the D.B. version, prewelded to CALIBRA®. Packs of 10. Packs of 100 on request.

	CODE		lo					PRICE	
			torque	rect. tube rot.	diam. tube rond	rect. tube slot	wel-dable tubes		
 auxiliary tube .018"x.025"	G8184-22		0°	0°	.045"occl.	.018"	R	\$35.70	
	G8184-23	6/6	0°	0°	.045"occl.	.018"	L	\$35.70	
	G8124-22	6/6	0°	0°	.045"occl.	.022"	R	\$35.70	
	G8124-23		0°	0°	.045"occl.	.022"	L	\$35.70	
	G8185-12		0°	0°	.051"occl.	.018"	R	\$35.70	
	G8185-13	6/6	0°	0°	.051"occl.	.018"	L	\$35.70	
	G8125-12	6/6	0°	0°	.051"occl.	.022"	R	\$35.70	
	G8125-13		0°	0°	.051"occl.	.022"	L	\$35.70	
	G8484-22		-10°	+8°	.045"occl.	.018"	R	\$35.70	
	G8484-23	6/6	-10°	+8°	.045"occl.	.018"	L	\$35.70	
	G8424-22	6/6	-10°	+8°	.045"occl.	.022"	R	\$35.70	
	G8424-23		-10°	+8°	.045"occl.	.022"	L	\$35.70	
	G8485-12		-10°	+8°	.051"occl.	.018"	R	\$35.70	
	G8485-13	6/6	-10°	+8°	.051"occl.	.018"	L	\$35.70	
	G8425-12	6/6	-10°	+8°	.051"occl.	.022"	R	\$35.70	
	G8425-13		-10°	+8°	.051"occl.	.022"	L	\$35.70	
 auxiliary tube .018"x.025"	G8170-16		0°	0°		.018"	R	\$35.70	
	G8170-17	6/6	0°	0°		.018"	L	\$35.70	
	G8110-16	6/6	0°	0°		.022"	R	\$35.70	
	G8110-17		0°	0°		.022"	L	\$35.70	
	G8470-02		-14°	+8°		.018"	R	\$35.70	
	G8470-03	6/6	-14°	+8°		.018"	L	\$35.70	
	G8410-02	6/6	-14°	+8°		.022"	R	\$35.70	
	G8410-03		-14°	+8°		.022"	L	\$35.70	
	G8470-06		-25°	+8°		.018"	R	\$35.70	
	G8470-07	6/6	-25°	+8°		.018"	L	\$35.70	
	G8410-06	6/6	-25°	+8°		.022"	R	\$35.70	
	G8410-07		-25°	+8°		.022"	L	\$35.70	
	 auxiliary tube .018"x.025"	G8184-12		0°	0°	.045"occl.	.018"	R	\$35.70
		G8184-13	6/6	0°	0°	.045"occl.	.018"	L	\$35.70
G8124-12		6/6	0°	0°	.045"occl.	.022"	R	\$35.70	
G8124-13			0°	0°	.045"occl.	.022"	L	\$35.70	
G8185-22			0°	0°	.051"occl.	.018"	R	\$35.70	
G8185-23		6/6	0°	0°	.051"occl.	.018"	L	\$35.70	
G8125-22		6/6	0°	0°	.051"occl.	.022"	R	\$35.70	
G8125-23			0°	0°	.051"occl.	.022"	L	\$35.70	
G8484-12			-10°	+8°	.045"occl.	.018"	R	\$35.70	
G8484-13		6/6	-10°	+8°	.045"occl.	.018"	L	\$35.70	
G8424-12		6/6	-10°	+8°	.045"occl.	.022"	R	\$35.70	
G8424-13			-10°	+8°	.045"occl.	.022"	L	\$35.70	
G8485-22			-10°	+8°	.051"occl.	.018"	R	\$35.70	
G8485-23		6/6	-10°	+8°	.051"occl.	.018"	L	\$35.70	
G8425-22		6/6	-10°	+8°	.051"occl.	.022"	R	\$35.70	
G8425-23			-10°	+8°	.051"occl.	.022"	L	\$35.70	
G8424-32		6/6	-14°	+10°	.045"occl.	.022"	R	\$35.70	
G8424-33		6/6	-14°	+10°	.045"occl.	.022"	L	\$35.70	

CONVERTIBLE MIM® BUCCAL TUBES

	CODE		6					PRICE	
			torque	rect. tube rot.	diam. tube rond	rect. tube slot	wel-dable tubes		
	G8184-02		0°	0°	.045"ging.	.018"	R	\$35.70	
	G8184-03	$\frac{6 6}{6 6}$	0°	0°	.045"ging.	.018"	L	\$35.70	
	G8124-02		0°	0°	.045"ging.	.022"	R	\$35.70	
	G8124-03		0°	0°	.045"ging.	.022"	L	\$35.70	
	G8185-02		0°	0°	.051"ging.	.018"	R	\$35.70	
	G8185-03	$\frac{6 6}{6 6}$	0°	0°	.051"ging.	.018"	L	\$35.70	
	G8125-02		0°	0°	.051"ging.	.022"	R	\$35.70	
	G8125-03		0°	0°	.051"ging.	.022"	L	\$35.70	
	G8484-02		-10°	+8°	.045"ging.	.018"	R	\$35.70	
	G8484-03	$\frac{6 6}{6 6}$	-10°	+8°	.045"ging..	.018"	L	\$35.70	
	G8424-02		-10°	+8°	.045"ging.	.022"	R	\$35.70	
	G8424-03		-10°	+8°	.045"ging.	.022"	L	\$35.70	
	G8485-02		-10°	+8°	.051"ging.	.018"	R	\$35.70	
	G8485-03	$\frac{6 6}{6 6}$	-10°	+8°	.051"ging.	.018"	L	\$35.70	
	G8425-02		-10°	+8°	.051"ging.	.022"	R	\$35.70	
	G8425-03		-10°	+8°	.051"ging.	.022"	L	\$35.70	
	G8424-16		-20°	+8°	.045"ging.	.022"	R	\$35.70	
	G8424-17		-20°	+8°	.045"ging.	.022"	L	\$35.70	
	G8484-06	$\frac{6 6}{6 6}$	-25°	+8°	.045"ging.	.018"	R	\$35.70	
	G8484-07		-25°	+8°	.045"ging.	.018"	L	\$35.70	
	G8424-06		-25°	+8°	.045"ging.	.022"	R	\$35.70	
	G8424-07		-25°	+8°	.045"ging.	.022"	L	\$35.70	
	G8485-06		-25°	+8°	.051"ging.	.018"	R	\$35.70	
	G8485-07	$\frac{6 6}{6 6}$	-25°	+8°	.051"ging.	.018"	L	\$35.70	
	G8425-06		-25°	+8°	.051"ging.	.022"	R	\$35.70	
	G8425-07		-25°	+8°	.051"ging.	.022"	L	\$35.70	
		G8181-02		0°	0°		.018"	R	\$35.70
		G8181-03	$\frac{6 6}{6 6}$	0°	0°		.018"	L	\$35.70
G8121-02			0°	0°		.022"	R	\$35.70	
G8121-03			0°	0°		.022"	L	\$35.70	
G8481-02			-10°	+8°		.018"	R	\$35.70	
G8481-03		$\frac{6 6}{6 6}$	-10°	+8°		.018"	L	\$35.70	
G8421-02			-10°	+8°		.022"	R	\$35.70	
G8421-03			-10°	+8°		.022"	L	\$35.70	
G8421-16			-20°	+8°		.022"	R	\$35.70	
G8421-17		$\frac{6 6}{6 6}$	-20°	+8°		.022"	L	\$35.70	
G8481-06			-25°	+8°		.018"	R	\$35.70	
G8481-07		$\frac{6 6}{6 6}$	-25°	+8°		.018"	L	\$35.70	
G8421-06			-25°	+8°		.022"	R	\$35.70	
G8421-07			-25°	+8°		.022"	L	\$35.70	

WELDABLE BRACKETS

Packs of 10 - Packs of 100 on request



CODE	CODE	UPPER					PRICE
slot .018"	slot .022"	<u>2 1 2</u>	tor- que	ang.	mm		
G2080-14	G2020-14		0°	0°	2,5	R	\$21.80
G2080-14	G2020-14		0°	0°	2,5	L	\$21.80
G2080-34	G2020-34		0°	0°	3,3	R	\$21.80
G2080-34	G2020-34		0°	0°	3,3	L	\$21.80
slot .018"	slot .022"	<u>1 1</u>					
G2086-14	G2026-14		0°	0°	3,5	R	\$21.80
G2086-14	G2026-14		0°	0°	3,5	L	\$21.80
G2080-44	G2020-44		0°	0°	4,4	R	\$21.80
G2080-44	G2020-44		0°	0°	4,4	L	\$21.80
	G2421-02		+10°	+5°	3,3	R	\$21.80
	G2421-03		+10°	+5°	3,3	L	\$21.80
G2480-04			+22°	0°	3,3	R	\$21.80
G2480-04			+22°	0°	3,3	L	\$21.80
slot .018"	slot .022"	<u>2 2</u>					
G2080-24	G2020-24		0°	0°	2,7	R	\$21.80
G2080-24	G2020-24		0°	0°	2,7	L	\$21.80
	G2422-02		+5°	+10°	2,7	R	\$21.80
	G2422-03		+5°	+10°	2,7	L	\$21.80
G2482-02			+14°	+8°	2,7	R	\$21.80
G2482-03			+14°	+8°	2,7	L	\$21.80
slot .018"	slot .022"	<u>3 3</u>					
G2080-14	G2020-14		0°	0°	2,5	R	\$21.80
G2080-14	G2020-14		0°	0°	2,5	L	\$21.80
G2088-04	G2028-04		0°	0°	2,7	R	\$21.80
G2088-04	G2028-04		0°	0°	2,7	L	\$21.80
G2088-14	G2028-14		0°	0°	3,3	R	\$21.80
G2088-14	G2028-14		0°	0°	3,3	L	\$21.80
G2483-08			+7°	+5°	3,3	R	\$21.80
G2483-00			+7°	+5°	3,3	L	\$21.80
	G2423-02		-10°	+10°	3,3	R	\$21.80
	G2423-03		-10°	+10°	3,3	L	\$21.80
	G2423-12		-10°	+15°	3,3	R	\$21.80
	G2423-13		-10°	+15°	3,3	L	\$21.80
slot .018"	slot .022"	<u>5 4 4 5</u>					
G2088-04	G2028-04		0°	0°	2,7	R	\$21.80
G2088-04	G2028-04		0°	0°	2,7	L	\$21.80
G2088-34	G2028-34		0°	0°	3,3	R	\$21.80
G2088-34	G2028-34		0°	0°	3,3	L	\$21.80
G2089-14	G2029-14		0°	0°	2,0	R	\$21.80
G2089-14	G2029-14		0°	0°	2,0	L	\$21.80
G2084-01	G2024-01		0°	0°	3,3	R	\$21.80
G2084-01	G2024-01		0°	0°	3,3	L	\$21.80
G2489-01	G2429-11		-7°	0°	3,3	R	\$21.80
G2489-01	G2429-11		-7°	0°	3,3	L	\$21.80

CODE	CODE	LOWER					PRICE
slot .018"	slot .022"	<u>2 1 2</u>	tor- que	ang.	mm		
G2080-04	G2020-04		0°	0°	2,0	R	\$21.80
G2080-04	G2020-04		0°	0°	2,0	L	\$21.80
G2080-05	G2020-05		0°	0°	2,1	R	\$21.80
G2080-05	G2020-05		0°	0°	2,1	L	\$21.80
slot .018"	slot .022"	<u>3 3</u>					
G2080-14	G2020-14		0°	0°	2,5	R	\$21.80
G2080-14	G2020-14		0°	0°	2,5	L	\$21.80
G2088-04	G2028-04		0°	0°	2,7	R	\$21.80
G2088-04	G2028-04		0°	0°	2,7	L	\$21.80
G2088-14	G2028-14		0°	0°	3,3	R	\$21.80
G2088-14	G2028-14		0°	0°	3,3	L	\$21.80
G2483-00			+7°	+5°	3,3	R	\$21.80
G2483-08			+7°	+5°	3,3	L	\$21.80
	G2423-06		-10°	+5°	3,3	R	\$21.80
	G2423-07		-10°	+5°	3,3	L	\$21.80
	G2423-16		-10°	+10°	3,3	R	\$21.80
	G2423-17		-10°	+10°	3,3	L	\$21.80
slot .018"	slot .022"	<u>5 4 4 5</u>					
G2088-04	G2028-04		0°	0°	2,7	R	\$21.80
G2088-04	G2028-04		0°	0°	2,7	L	\$21.80
G2088-34	G2028-34		0°	0°	3,3	R	\$21.80
G2088-34	G2028-34		0°	0°	3,3	L	\$21.80
G2484-05			-7°	0°	3,3	R	\$21.80
G2484-05			-7°	0°	3,3	L	\$21.80
G2485-05			-15°	0°	3,3	R	\$21.80
G2485-05			-15°	0°	3,3	L	\$21.80
G2089-14	G2029-14		0°	0°	2,0	R	\$21.80
G2089-14	G2029-14		0°	0°	2,0	L	\$21.80
G2084-01	G2024-01		0°	0°	3,3	R	\$21.80
G2084-01	G2024-01		0°	0°	3,3	L	\$21.80
G2489-15	G2429-15		-17°	0°	3,3	R	\$21.80
G2489-15	G2429-15		-17°	0°	3,3	L	\$21.80
G2489-05	G2429-25		-22°	0°	3,3	R	\$21.80
G2489-05	G2429-25		-22°	0°	3,3	L	\$21.80
slot .018"	slot .022"	<u>6 6</u> <u>6 6</u>					
G2080-44	G2020-44		0°	0°	4,4	R	\$21.80
G2080-44	G2020-44		0°	0°	4,4	L	\$21.80

CONNECTORS FOR LASER WELDING

Connectors for laser welding are accessories to be welded on the lingual side of the bands. Manufactured with **MIM**® technology, they feature a special fit geometry allowing the hold of the wire or the arm of the expander for laser welding of elements with a different thickness. The two models below allow to make expanders, palatal bars and quad-helix with safety and solidity of the welded joints.
Packs of 10



G0560-00 CONNECTOR FOR EXPANDERS

PRICE \$101.10



The connector's flanges ensure a good joint to the band by means of a welding machine



The connector's shape enables a correct biomechanical position of the arm and the hygiene of the area

G0570-09 CONNECTOR 0,9 MM FOR MOLARS

PRICE \$101.10



Detail of the wire housing into the connector's seat. Connectors ensure a precise fit each time.



Laser welded connections ensure biocompatibility and guarantee mechanical resistance. Appliances utilizing connectors require less finishing and polishing time.

MIM® LINGUAL TUBE WITH BALL HOOK



- G2846-02** Right
- G2846-03** Left
- G2847-02** Right, rotation -8°
- G2847-03** Left, rotation -8°



The curved flanges adapt to contours of both first and second molars. For use with double wires: .036".

Packs of 10 **PRICE \$31.20**

SPECIAL:
BUY 2 PACKS
& PAY \$24.00
EACH MIX &
MATCH

LINGUAL BUTTONS



G2860-00
Flat for centering on molars



G2865-00
Curved for mesial placement on molars



G2870-00
Deep curved for bicuspids

Packs of 10 **PRICE \$26.30**

SPECIAL:
BUY 6 PACKS,
PAY \$19.00/PK
MIX & MATCH

LINGUAL CLEATS LOW PROFILE



G2824-00 For molars



G2822-00 For cuspids and bicuspids

Packs of 100 **PRICE \$138.30**

SPECIAL:
BUY 2 FOR
\$94.00
EACH

ROUND TUBES



CODE	⌀	↔	pkg.	PRICE
		mm		
G0533-36	.036"	6,5	10	\$22.10
G0532-45	.045"	5,5	10	\$22.10
G0535-45	.045"	9,5	10	\$22.10

ROUND TUBING



CODE	⌀	pkg.	PRICE
G0525-36	.036"	1 pc 30cm	\$22.10
G0525-45	.045"	long	\$22.10

G0520-24 TWIN ARCH SYSTEM TUBES

Length 28,6 mm
For double wire .011".
Outer diameter: .036".

PRICE \$20.20



SPECIAL:
BUY 3 PACKS
PAY \$15.00/PK,
MIX & MATCH

G0533-36
For soldering. Inner diameter .036".
Packs of 10
PRICE \$22.10

IDEA-L LINGUAL BRACKETS

IDEA-L lingual brackets feature small mesio-distal sizes, 1.4 mm depth and a special bracket design which make the application of Slide ligatures easy. In most cases, the use of a round wire **MEMORIA**® .012 is sufficient to get the solution of overcrowding and the aesthetical improvement of smile. In cases of dental rotations and/or major misplacements, wires of higher diameter, like **MEMORIA**® or Beta **MEMORIA**®, and conventional ligatures may also be used to gain biomechanical control. To get perfect alignment and levelling of the anterior teeth, an accurate position of the bracket is necessary; it is therefore advisable to use an indirect bonding technique with arch transfer trays made in the laboratory or with the special "Jigs" conceived for this technique.



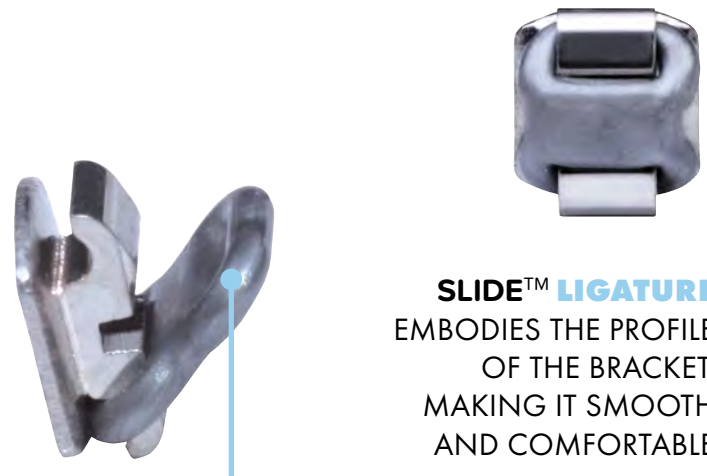
PROFILE OF 1,4 MM DEPTH

FOR PATIENT ACCEPTANCE AND MINIMAL SPEECH ISSUES



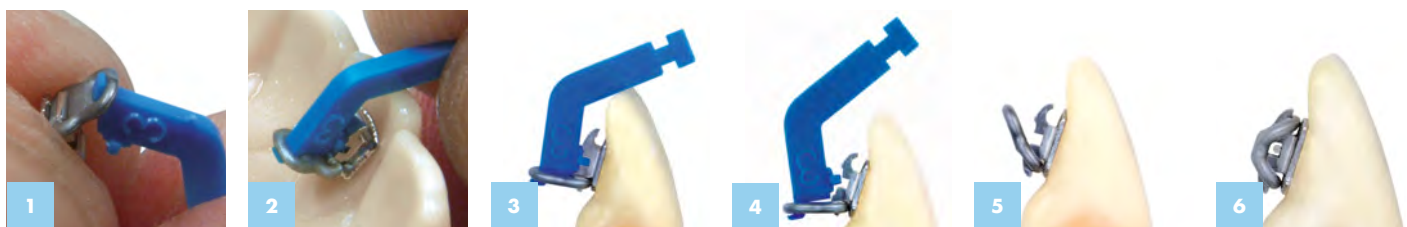
CUSTOM DESIGN

MAKES THE APPLICATION OF THE **SLIDE**™ LIGATURE EASY AND KEEPS IT IN PLACE DURING TREATMENT



SLIDE™ LIGATURE EMBODIES THE PROFILE OF THE BRACKET, MAKING IT SMOOTH AND COMFORTABLE

SPECIAL PLASTIC JIG (FOR RECOMMENDED INDIRECT BONDING)



1 Assemble jig on the bracket with the **SLIDE**™ ligature hooked under the gingival wing

2 Measure of the height of the selected jig on working cast and select correct size for the best bracket position

3 Position in the mouth and polymerization of the adhesive

4 Removal of the jig with a rotary movement

5 Bracket with the **SLIDE**™ ligature under the gingival wing

6 Bracket with wire and the **SLIDE**™ ligature in place

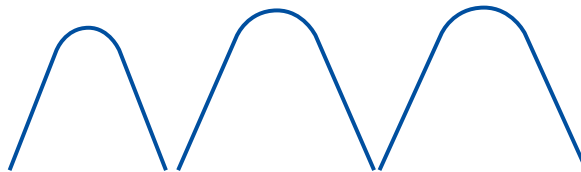
CODE						pkg.	PRICE
			.018"x.030"	torque	ang.		
F4980-04				0°	0°	$\frac{1}{1}$	5 \$93.50
F4980-04				0°	0°	$\frac{2}{2}$	5 \$93.50
F4980-04				0°	0°	$\frac{3}{3}$	5 \$93.50
F4984-04				0°	0°	$\frac{4}{4}$	5 \$93.50
F4980-04				0°	0°	$\frac{1}{1}$	5 \$93.50
F4980-04				0°	0°	$\frac{2}{2}$	5 \$93.50
F4980-04				0°	0°	$\frac{3}{3}$	5 \$93.50
F4984-04				0°	0°	$\frac{4}{4}$	5 \$93.50

SPECIAL:
BUY 2 FOR
\$89.00 EACH

MEMORIA® AND BETA MEMORIA® LINGUAL ARCHWIRES

Sections .012" and .014" are made of a special Nickel Titanium alloy allowing light adaptations necessary in case of treatment extension to first bicuspids, thus keeping high elasticity. Section .016" Beta **MEMORIA**® is ideal to optimize the alignment and levelling values. The selector C4950-00 is available to select the correct archwire shape.

Packs of 2



Courtesy of Dr. F. Giuntoli

MEMORIA® LINGUAL ARCHWIRES	CODE	CODE	CODE	∅	PRICE
	small	medium	large	inch	
	C4950-12	C4951-12	C4952-12	.012	\$12.60
	C4950-14	C4951-14	C4952-14	.014	\$12.60
BETA MEMORIA® LINGUAL ARCHWIRES					
	C4970-16	C4971-16	C4972-16	.016	\$12.60

F4980-91 IDEA-L LINGUAL BRACKET KIT

Composition of the kit: 8 brackets (one arch) and 12 **SLIDE**™ ligatures extra-small, silver colour

PRICE \$89.30



F4900-60 KIT OF ASSORTED JIGS

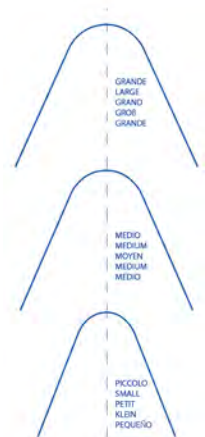
Six sizes for the selection of the proper position according to the anatomy of the lingual surface of the tooth. Assorted pack of 120 pcs. **PRICE \$31.50**



C4950-00 LINGUAL ARCHWIRE SELECTOR

Lay the selector on the model and choose the correct arch shape.

PRICE \$8.40



JIGS - REFILL	CODE	size	pkg.	PRICE
	F4900-01	size 1	20	\$8.40
	F4900-02	size 2	20	\$8.40
	F4900-03	size 3	20	\$8.40
	F4900-04	size 4	20	\$8.40
	F4900-05	size 5	20	\$8.40
	F4900-06	size 6	20	\$8.40



P1530-00
LABORATORY PLIERS
ADAMS STYLE

Large tips with tungsten carbide inserts. Necessary for bending wires in the laboratory. A round cone tip of 1,3 mm (.051") and a pyramid beak of 1,4 mm (.055"). For wires up to 1,5 mm (.059"). Excellent for Crozat technique.

PRICE \$195.30



P1034-00
THREE JAW PLIERS
ROUND

Very sturdy, does not score wires. Suitable for bending the arms of expanders. For wires up to 1,5 mm (.059").

PRICE \$175.10

P1034-93
THREE JAWS PLIERS ROUND
WITH ARM BENDING
INSTRUMENT, P1620-02

PRICE \$194.50



P1099-00
HEAVY DUTY CUTTER

For hard wires up to 1,5 mm (.059")

PRICE \$147.00



P1162-00
UNIVERSAL PLIERS

Extremely tapered design. For wires up to 0,9 mm (.036").

PRICE \$44.90



P1163-00
UNIVERSAL PLIERS

Classic design. For wires up to 0,9 mm (.036").

PRICE \$44.40



P1097-00
ADAMS CLASP
FORMING PLIERS
NANCE STYLE

For forming Adams clasps and small stops in the archwires.

For wires up to 0,7 mm (.028").

PRICE \$157.50





P1903-00
YOUNG STYLE PLIERS

For wires up to .040" (1,02 mm).

PRICE \$126.00

P1520-00
SCREWDRIVER

For use with micro spring screws.
Tip of 1,5 mm.

PRICE \$18.60



P1622-00
ARM BENDING INSTRUMENT FOR FAST BACK

It facilitates the job of the technician during the construction of the device.

It allows to maintain the linearity of the arm which has to slide on the palatal tube. The aluminium handle joined to the tempered steel tube assures a firm grip to get accurate bends.

PRICE \$17.30

ARM BENDING AND SELF-LOCKING INSTRUMENT FOR EXPANDERS (PATENTED)

Handy instrument to firmly hold the expander; it allows for easy and accurate modeling of the arms along with the special arm bending P1620-02. The instrument ends, with a clutch mechanism, are shaped on the model of expander to avoid damage to the bodies and are kept closed by a cursor clamp device that is turned on and off with a simple thumb action. The edge thickness of the clutching ends is designed to indicate the minimum space between the body of the expander and the palatal vault. By placing the instrument with the screw on the plaster model, the correct inclination and the right height to bend the arms will be clearly visible. It is also useful to test the expander prior to use by opening and closing the expander with the special straight key. **See page 24 for instructional video.**



P1509-00
STAINLESS STEEL UNIVERSAL BRACKET ALTIMETER

A small device for measurement of the right height of bracket slots. **PRICE \$81.60**



**SPECIAL:
BUY 2 FOR
\$15.70
EACH**

P1620-02
ARM BENDING INSTRUMENT FOR EXPANDERS

Ideal to bend the expander's arms with ease and precision. Also for expanders with long arms.

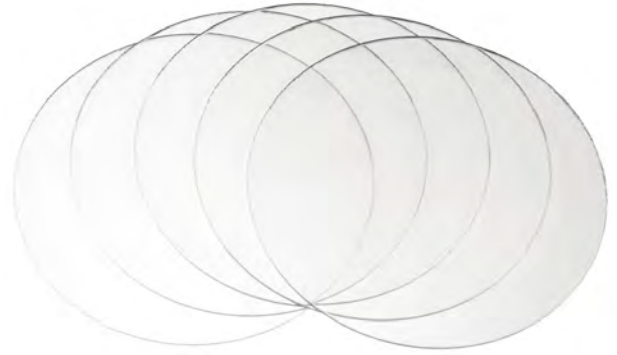
PRICE \$22.60

	CODE	for expanders	PRICE
	P0620-00	A0620-08/09/11/13/15 A2620-07/10/12 A2703-06/09 A2704-06/09 A2705-06/09 A2706-06/09	\$180.30
	P0630-00	A0631-08/10/12	\$180.30
	P0621-00	A0621-08/11 A1621-08/11/13	\$180.30
	P0625-09	A0625-09	\$180.30
	P0625-07	A0625-07	\$180.30

BIOCOMPATIBLE THERMOFORMING MATERIAL

Discs and square plates made out of PET G (Polyethylene Terephthalate modified with Glycol), a material ideal for thermoforming to manufacture dental aligners and post-treatment aesthetic retainers.

The material conforms to ISO 10993-1, and once formed, it features excellent optical transparency, with highly efficient biomechanical properties.



CALL TO RECEIVE A FREE SINGLE DISC OR PLATE SAMPLE

THERMOFORMABLE DISCS Ø 120 mm	CODE	thickness	pkg.	PRICE
	R7001-05	0,5 mm	25 pcs	\$54.30
	R7001-08	0,8 mm	25 pcs	\$54.30
	R7001-10	1,0 mm	25 pcs	\$54.30
	R7001-15	1,5 mm	15 pcs	\$35.80
	R7001-20	2,0 mm	10 pcs	\$22.80

THERMOFORMABLE DISCS Ø 125 mm	CODE	thickness	pkg.	PRICE
	R7002-05	0,5 mm	25 pcs	\$54.30
	R7002-08	0,8 mm	25 pcs	\$54.30
	R7002-10	1,0 mm	25 pcs	\$54.30
	R7002-15	1,5 mm	15 pcs	\$35.80
	R7002-20	2,0 mm	10 pcs	\$22.80

THERMOFORMABLE PLATES 125 x 125 mm	CODE	thickness	pkg.	PRICE
	R7013-05	0,5 mm	25 pcs	\$54.30
	R7013-08	0,8 mm	25 pcs	\$54.30
	R7013-10	1,0 mm	25 pcs	\$54.30
	R7013-15	1,5 mm	15 pcs	\$35.80
	R7013-20	2,0 mm	10 pcs	\$22.80

SPECIAL: BUY 4 GET 1 FREE OF EQUAL OR LESSER VALUE MIX & MATCH

BIOCOMPATIBLE THERMOFORMING MATERIAL HARD/SOFT

NEW

Discs and square plates featuring one soft and one hard side. The soft side is made of EVA (Ethylene Vinyl Acetate) and the hard side is made of PET-G (Polyethylene Terephthalate modified with Glycol). Acrylic resin is perfectly combined with the hard side of the thermo-formable material, making it suitable for the fabrication of splints for people suffering from bruxism or as a retentive base in the construction of complex acrylic appliances, such as anti-snoring devices. Once thermoformed, the material will get a high breakage resistance.



CALL TO RECEIVE A FREE SINGLE DISC OR PLATE SAMPLE



HARD/SOFT DISCS Ø 120 mm	CODE	thickness	pkg.	PRICE
	R7101-02	2 mm	10 pcs	\$119.00
	R7101-03	3 mm	10 pcs	\$149.00

HARD/SOFT DISCS Ø 125 mm	CODE	thickness	pkg.	PRICE
	R7102-02	2 mm	10 pcs	\$119.00
	R7102-03	3 mm	10 pcs	\$149.00

HARD/SOFT PLATES 125x125 mm	CODE	thickness	pkg.	PRICE
	R7113-02	2 mm	10 pcs	\$119.00
	R7113-03	3 mm	10 pcs	\$149.00



SPECIAL:
BUY 4 GET 1 FREE OF EQUAL OR LESSER VALUE
MIX & MATCH

R4401L93
COLORED MOTIF
FOR PLATES
ASSORTED KIT

It includes 28 different decals, one positioning tweezer and illustrated pamphlet for patient choice. Assorted kit of 280

PRICE \$263.00

REFILLS OF MOTIFS

Packs of 10 **PRICE \$13.90**



GLITTERS

Nice looking orthodontic plates are obtained by mixing a small quantity of glitters with acrylic powder. Glitters make plates X-ray visible.

Packs of 50 g and squeeze bottle

CODE	colour	PRICE
R4300L00	silver	\$36.50
R4301L00	gold	\$36.50
R4302L00	multicolor "Z"	\$36.50
R4303L00	blue	\$36.50
R4304L00	red	\$36.50

SPECIAL:
BUY 2 FOR
\$23.60
EACH



R4310L00
"X" FLUORESCENT
ADDITIVE

A fluorescent effect is given by mixing just 15% approx. of product with polymer. The best result is achieved with the use of clear powder and liquid.

Pack of 100 g

PRICE \$69.60

SPECIAL:
BUY 2 FOR
\$50.00
EACH



LEONEAMERICA ORTHO COLOR LIQUIDS

Use of these colors results in beautiful and unique appliances. Colors are dense and bright and are manufactured by our factory in Oxnard, California.



SPECIAL FOR OUNCE \$7.50

SPECIAL FOR 4 OZ \$22.00

CODE	Description	color	PRICE
RP6031-01	1 oz. Leoneamerica Ortho Color Liquid "C"	Pink	\$8.40
RP6122-01	1 oz. Leoneamerica Ortho Color Liquid "A"	Clear	\$8.40
RP6124-01	1 oz. Leoneamerica Ortho Color Liquid "D"	Red	\$8.40
RP6126-01	1 oz. Leoneamerica Ortho Color Liquid "F"	Magenta	\$8.40
RP6127-01	1 oz. Leoneamerica Ortho Color Liquid "G"	Orange	\$8.40
RP6128-01	1 oz. Leoneamerica Ortho Color Liquid "H"	Fluor. Yellow	\$8.40
RP6129-01	1 oz. Leoneamerica Ortho Color Liquid "I"	Green	\$8.40
RP6131-01	1 oz. Leoneamerica Ortho Color Liquid "M"	Blue	\$8.40

CODE	Description	color	PRICE
RP6031-04	4 oz. Leoneamerica Ortho Color Liquid "C"	Pink	\$27.00
RP6122-04	4 oz. Leoneamerica Ortho Color Liquid "A"	Clear	\$27.00
RP6134-04	4 oz. Leoneamerica Ortho Color Liquid "D"	Red	\$27.00
RP6136-04	4 oz. Leoneamerica Ortho Color Liquid "F"	Magenta	\$27.00
RP6137-04	4 oz. Leoneamerica Ortho Color Liquid "G"	Orange	\$27.00
RP6138-04	4 oz. Leoneamerica Ortho Color Liquid "H"	Fluor. Yellow	\$27.00
RP6139-04	4 oz. Leoneamerica Ortho Color Liquid "I"	Green	\$27.00
RP6141-04	4 oz. Leoneamerica Ortho Color Liquid "M"	Blue	\$27.00

SPECIAL FOR 8 OZ \$26.00

SPECIAL FOR 1 PINT \$59.75

CODE	Description	color	PRICE
RP6031-08	8 oz. Leoneamerica Ortho Color Liquid "C"	Pink	\$45.70
RP6122-08	8 oz. Leoneamerica Ortho Color Liquid "A"	Clear	\$45.70
RP6124-08	8 oz. Leoneamerica Ortho Color Liquid "D"	Red	\$45.70
RP6126-08	8 oz. Leoneamerica Ortho Color Liquid "F"	Magenta	\$45.70
RP6127-08	8 oz. Leoneamerica Ortho Color Liquid "G"	Orange	\$45.70
RP6128-08	8 oz. Leoneamerica Ortho Color Liquid "H"	Fluor. Yellow	\$45.70
RP6129-08	8 oz. Leoneamerica Ortho Color Liquid "I"	Green	\$45.70
RP6131-08	8 oz. Leoneamerica Ortho Color Liquid "M"	Blue	\$45.70

CODE	Description	color	PRICE
RP6031-16	1 pint Leoneamerica Ortho Color Liquid "C"	Pink	\$90.00
RP6122-16	1 pint Leoneamerica Ortho Color Liquid "A"	Clear	\$90.00
RP6134-16	1 pint Leoneamerica Ortho Color Liquid "D"	Red	\$90.00
RP6136-16	1 pint Leoneamerica Ortho Color Liquid "F"	Magenta	\$90.00
RP6137-16	1 pint. Leoneamerica Ortho Color Liquid "G"	Orange	\$90.00
RP6138-16	1 pint Leoneamerica Ortho Color Liquid "H"	Fluor. Yellow	\$90.00
RP6139-16	1 pint. Leoneamerica Ortho Color Liquid "I"	Green	\$90.00
RP6141-16	1 pint Leoneamerica Ortho Color Liquid "M"	Blue	\$90.00

COLOR GUIDES

A display of 13 fun colors to assist patients in choosing their color.

CODE	Description	PRICE
041-RP6000-00	Color Shade Guide	\$43.80

SPECIAL:
\$35.00



LEONEAMERICA ORTHO RESIN - COLD CURE HIGH IMPACT -PREMIUM RESIN - "LO-FLO"

Leoneamerica Ortho Resin is a self-curing, high-impact acrylic that was developed for orthodontic use in making strong and attractive appliances and retainers. The powder is a "Lo-Flo" formulation that will rapidly absorb the monomer and will not slump, flow or run. Plastic thickness and form can be rapidly accomplished because when Leoneamerica Ortho powder and liquid are sprayed on the stone cast, the acrylic will stay put and even. Leoneamerica Ortho Resin Kit is supplied with clear powder and pink or clear liquid. Kit contains: 16 oz. powder, 8 oz. pink or clear liquid, dropper, a 3oz. jet dispenser, and instruction sheet.



MADE IN THE USA

CODE	Description	PRICE	SPECIAL
19822/P	Leoneamerica Ortho Acrylic 1 lb. kit, pink liquid	\$56.20	\$38.60
19822/C	Leoneamerica Ortho Acrylic 1 lb. kit, clear liquid	\$56.20	\$38.60
19823/P	Leoneamerica Ortho Acrylic 25 lb. kit, pink liquid	\$916.90	\$650.00
19823/C	Leoneamerica Ortho Acrylic 25 lb. kit, clear liquid	\$916.90	\$650.00
20024/P	Leoneamerica Ortho Liquid, 8 oz. pink	\$16.00	\$14.00
20024/C	Leoneamerica Ortho Liquid, 8 oz. clear	\$16.00	\$14.00
20032	Leoneamerica Ortho Powder, 16 oz	\$42.50	\$30.00
20032/7	Leoneamerica Ortho Acrylic 7lb Clear Powder	\$288.20	\$199.00
20033	Leoneamerica Ortho Powder, 25 lb.	\$861.40	\$625.00
20034/P	Leoneamerica Ortho Liquid, 1 gal. pink	\$84.40	\$64.00
20034/C	Leoneamerica Ortho Liquid, 1 gal. clear	\$84.40	\$64.00



ACCESSORIES



**SPECIAL:
OVER
50% OFF
ENTIRE KIT!**

N	CODE	Description	PRICE
1	R4401-00	Spray flask for powder (with tip)	\$11.30
2	R4402-00	Spray flask for liquid (with tip)	\$11.30
3	R4403-00	Large beaker	\$6.00
4	R4404-00	Small beaker	\$6.00
5	R4405-00	Funnel for liquid	\$5.00
6	R4406-00	Funnel for powder	\$7.40
7	R4407-00	Brush	\$8.10
8	R4408-00	Spray nozzle for powder/liquid	\$7.90
9	R4409-00	Spray needle for liquid	\$4.60
10	R4410-00	Arrows	\$7.90



**R6320-00
SEPARATOR LIQUID
FOR RESIN**

Ideal for the insulation of the plaster model from the acrylic.

Pack of 1 L
PRICE \$41.50



**R4550-00
POLISHING FLUID
FOR RESIN**

Spread some drops on the polishing brush.

Pack of 0,5 L
PRICE \$47.80



**GLOSS
FOR PLASTER MODELS**

R4520-00 Pack of 0,5 L
PRICE \$36.00
R4530-00 Pack of 5 L
PRICE \$288.80

It is necessary to use a good ortho plaster but also a good final model gloss to obtain a well-made study model. This model gloss provides polished surfaces with fine detail and protects them over the time.



ORTHODONTIC SOLDERS

R0222-00
Wire form, 0,40 mm in diameter
PRICE \$65.10

R0223-00
Tape form, 1 x 0,5 mm
PRICE \$65.10

R0224-00
Rods, 1 mm in diameter
For all orthodontic brazing works.
Cadmium free. Silver: 55%.
Melting range: 630° - 660° C.
Packs of 10 g approx
PRICE \$65.10



R3711-00 MODELLING WAX

Wax in sheets. It moulds, both cold and hot, without breaking.
Pack of 500 g
PRICE \$47.30



R0226-00 FLUX

In paste, for solders:
R0222-00, R0223-00 and R0224-00.
Pack of 30 g approx.
PRICE \$27.30



R0227-01 THERMO INSULATOR PASTE FOR SOLDERS

It protects plaster and resin during soldering procedure.
Excellent consistency.
Easy to remove with water.
Pack of 235 ml
PRICE \$56.30



R3714-00 THERMOWAX FOR UNDERCUTS

High melting point: 104° C. Particularly suitable to eliminate undercuts. It prevents damage to be caused to the acrylic brightness.
Pack of 100 g in stick
PRICE \$37.30



R3713-00 STICKY WAX

High sticky power.
Extreme strength of adhesion to fix the various elements (screws, wires etc.) to the model.
Pack of 100 g in stick
PRICE \$33.80



SAW FOR SET-UP

T1561-00 Saw with 1 blade **PRICE \$147.00**

T1563-00 12 large serrated blades
Easy change of blades and perfect handiness.
PRICE \$57.20



T1203-00
PLIER RACK
PRICE \$42.00



RUBBER MODEL BASE FORMERS

T3320-00 Large
Packs of 2,
upper and lower
PRICE \$111.30

T3321-00 Small
Packs of 2,
upper and lower
PRICE \$104.00



T1121-00
VERTICAL MODEL OCCLUDER

Entirely made of stainless steel with high precision. The double sliding guides prevent from any undesired lateral movement. Models can be disengaged from the occluder by loosening the locking screw. Locking screw **T1122-00**. **PRICE \$207.90**